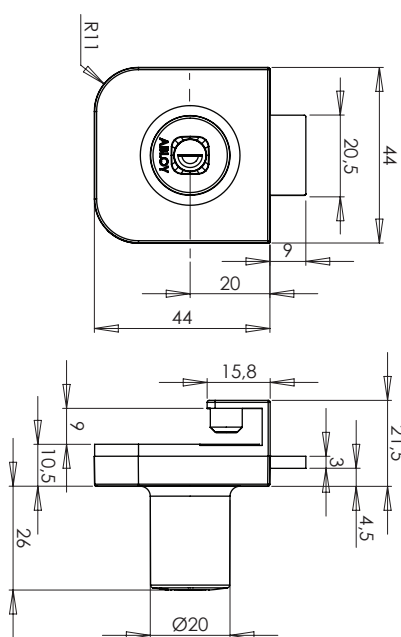
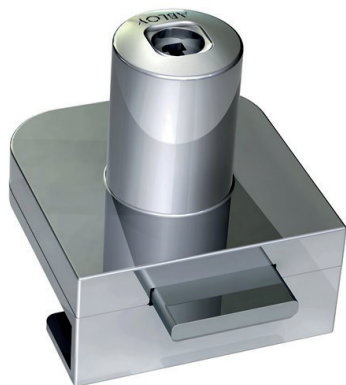


ABLOY® OF232 Cabinet lock



Technical data

Available key systems The lock can be combined for door locks.	ABLOY SENTRY, ABLOY PROTEC, ABLOY CLASSIC, ABLOY SENTO, ABLOY EASY
Body material	Zinc
Available plating options	Bright chrome (Cr)
Bolt type	Straight
Bolt material	Nickel-plated steel
Key removal	Open and locked position
Locking	With key
Weight	0,13 kg
Maximum door thicknesses	8 mm

This content is protected by Intellectual Property Rights Laws. The title to the content shall not pass to you, and instead shall remain with Abloy Oy or a third party holding the title. Abloy develops continuously the products and solutions offered. Therefore, the information contained in the document is subject to change without notice. ABLOY PROVIDES THIS CONTENT ON AN "AS IS" BASIS WITHOUT ANY WARRANTIES OF ANY KIND, EXPRESS, IMPLIED, OR STATUTORY."