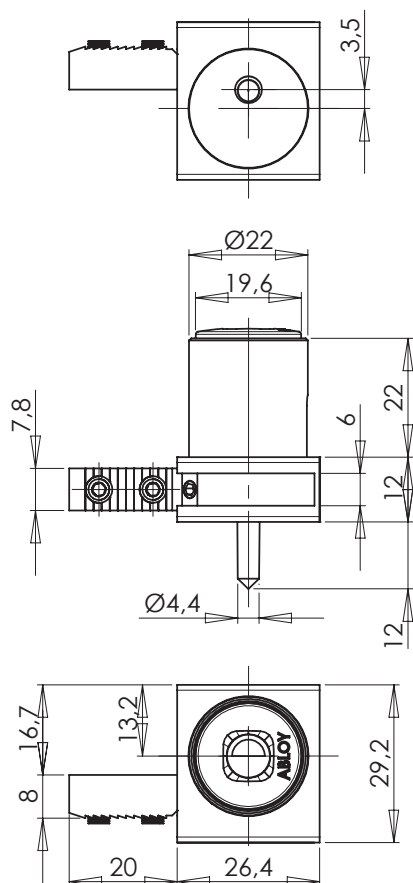


## ABLOY® OF432 Push button cabinet lock



### Technical data

Available key systems The lock can be combined for door locks.	ABLOY SENTRY, ABLOY PROTEC, ABLOY PROTEC <sup>2</sup> , ABLOY SENTO, ABLOY EASY, ABLOY CLASSIC
Body material	Zinc and brass
Available plating options	Bright chrome (Cr)
Bolt type	Pin
Bolt material	Nickel-plated zinc
Key removal	Open and locked position
Locking	Without key
Weight	0,12 kg
Maximum door thicknesses	22 mm

This content is protected by Intellectual Property Rights Laws. The title to the content shall not pass to you, and instead shall remain with Abloy Oy or a third party holding the title. Abloy develops continuously the products and solutions offered. Therefore, the information contained in the document is subject to change without notice. ABLOY PROVIDES THIS CONTENT ON AN "AS IS" BASIS WITHOUT ANY WARRANTIES OF ANY KIND, EXPRESS, IMPLIED, OR STATUTORY."