

ABLOY® CL109 Cam lock

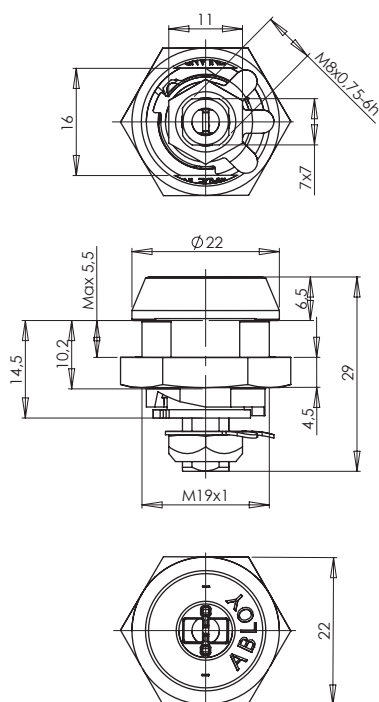


Product description

High security lock.

Overview of Advantages

- Suitable for use in a variety of gaming and vending machines and devices, storage and compartments, hardware and workstation locks, and other locations that require high security locking and reliability, but also ease of use.



Technical data

Available key systems	ABLOY SENTRY, ABLOY CLASSIC
Body material	Brass
Available plating options	Bright chrome (Cr)
Handing	Right / Left
Cam turn	90° / 180°
Key removal	Locked position
Weight	0,07 kg
Maximum door thicknesses:	5,5 mm

This content is protected by Intellectual Property Rights Laws. The title to the content shall not pass to you, and instead shall remain with Abloy Oy or a third party holding the title. Abloy develops continuously the products and solutions offered. Therefore, the information contained in the document is subject to change without notice. ABLOY PROVIDES THIS CONTENT ON AN "AS IS" BASIS WITHOUT ANY WARRANTIES OF ANY KIND, EXPRESS, IMPLIED, OR STATUTORY."