

ABLOY® CL204 Cam lock

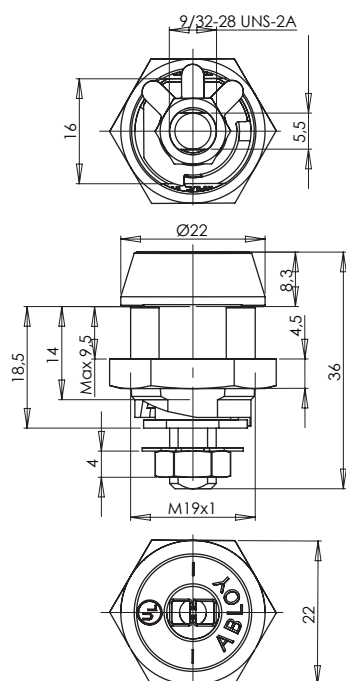


Product description

High security lock.

Overview of Advantages

- Suitable for use in a variety of high security applications where valuables are located either behind small doors or in enclosures, e.g. vending machines, cash dispensers, gaming machines, parking meters, pay phones, coin-operated laundry machines etc.



Technical data

Available key systems	ABLOY SENTRY, ABLOY PROTEC
Body material	Steel
Available plating options	Bright chrome (Cr)
Handing	Right / Left
Cam turn	90° / 180°
Key removal	Locked position
Weight	0,08 kg
Maximum door thicknesses:	9,5 mm

This content is protected by Intellectual Property Rights Laws. The title to the content shall not pass to you, and instead shall remain with Abloy Oy or a third party holding the title. Abloy develops continuously the products and solutions offered. Therefore, the information contained in the document is subject to change without notice. ABLOY PROVIDES THIS CONTENT ON AN "AS IS" BASIS WITHOUT ANY WARRANTIES OF ANY KIND, EXPRESS, IMPLIED, OR STATUTORY."