

# Touch type panic exit devices, TOP series

## Rim model. TOP1S

Rim panic device with a lateral locking point. Stainless steel orbital latch.



Certification UNE-EN 1125:

3 7 6 B 1 4 2 2 B A

### The box includes:

- » 1 horizontal bar and a modular head.
- » Accessories: Square spindle, fixing screws, strike, follower, covers for vertical rod ends and base plate.
- » Assembly instructions and installation template.



TOP1S stainless steel finish.

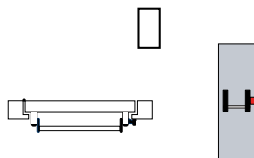
**2 million cycles**  
AENOR CERTIFICATE

Model	Door width	Finish	Product code
TOP1S	800 mm	Lime - Silver	TOP1S808LG
		Silver - Silver	TOP1S808GG
		Stainless steel	TOP1S808IL16
TOP1S	1.000 mm	Lime - Silver	TOP1S108LG
		Silver - Silver	TOP1S108GG
		Stainless steel	TOP1S108IL16
TOP1S	1.200 mm	Lime - Silver	TOP1S128LG
		Silver - Silver	TOP1S128GG
		Stainless steel	TOP1S128IL16

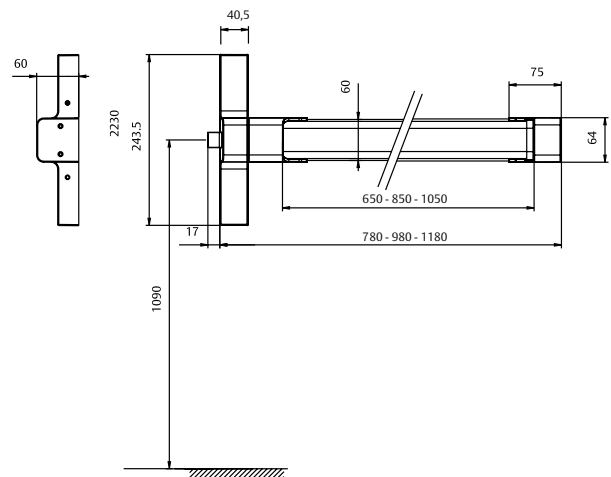
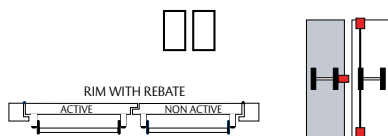
Highlighted part numbers: "Express 5" service.

## Configuration

### 1 leaf door



### 2 leaf door



Outside device	Blind plate	Euro-profile plate	Lever handle with euro-profile	Lever handle	Pull knob with euro-profile	Modular lever handle
No outside opening	•					
Free passing door				•		•
Cylinder locking	Knob / lever handle opening		•			•
	Captive key system					• <sup>(1)</sup>
	Key opening		•		•	

(1) It is needed to lock the outside access device to remove the key