

# Panic exit device for handicapped

## Push type (type A) 191D / 193D

Rim panic devices for handicapped with 1(2) locking points.  
Steel swing latches.  
Standard height: 2210mm.  
Certification EN 1125:

3 7 6 B 1 3 2 2 A A

### The box includes:

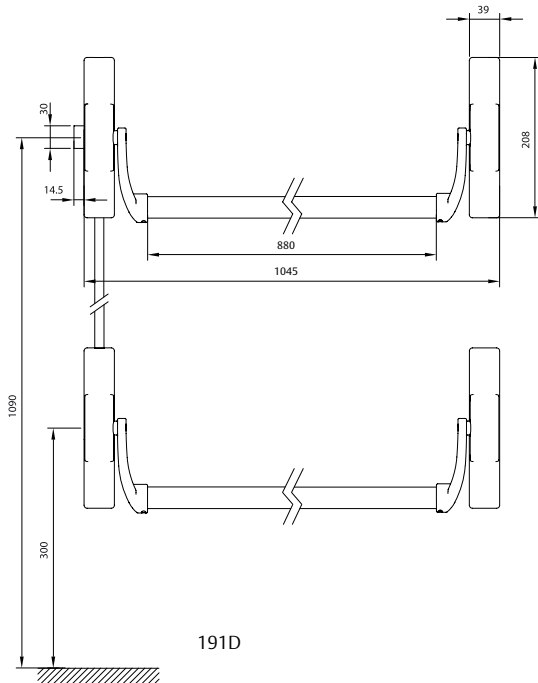
- » 2 principal support and 2 secondary supports.
- » 2 oval shape horizontal bar of 900 mm length.
- » 1(2) vertical rods of 930 mm.
- » Accessories bag includes: Fixing screws, screws witch support the horizontal bars, 1 square spindle, 1(2) vertical rod guides and strikes.
- » Assembly instructions and installation template.
- » (2 locking points, upper and lower).

Model	Horizontal tube bar length	Square spindle mm	Cover finish	Bar finish	Product code
191D	90	8	Black	Green	191D908NV
193D	90	8	Black	Green	193D908NV

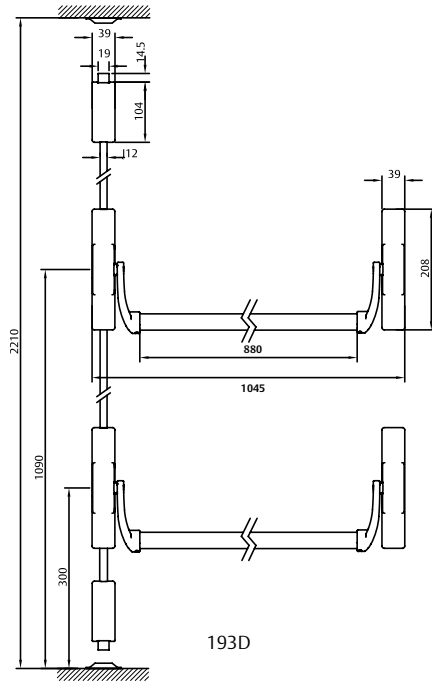
Other finishes: see page 6



193D nickel plated finish.



191D



193D

Outside device	Blind plate	Euro-profile plate	Lever handle with euro-profile	Lever handle	Pull knob with euro-profile	Modular lever handle
No outside opening	•					
Free passing door				•		•
Cylinder locking	Knob / lever handle opening		•			•
	Captive key system					• (1)

(1) It is needed to lock the outside access device to remove the key