

# Panic exit device for handicapped

## Touch type (type B) QUICK1D/QUICK3D



Rim panic devices for handicapped with 1(2/3) locking points with double operable active bars.  
Steel swing latches.  
Certification EN 1125:

3 7 6 B 1 3 2 2 B A

Outside access device defined at the bottom of the page.

### The box includes:

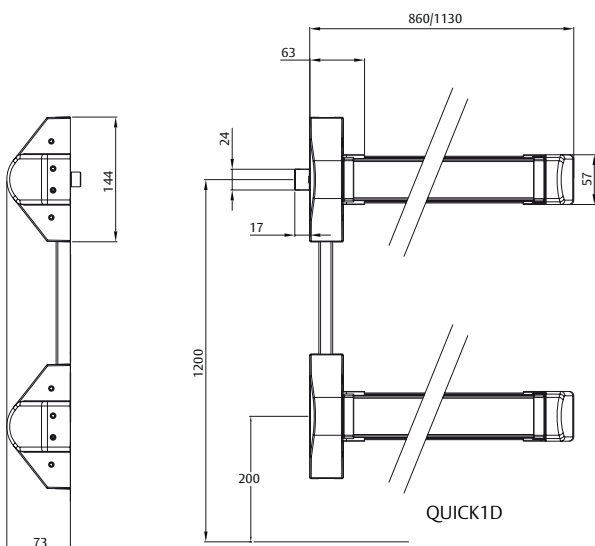
- » 2 horizontal bars with modular heads.
- » 1090 mm length vertical rod and covers: 1/2 units.
- » 2 locking points, upper and lower.
- » Accessories: Fixing screws, strikes, vertical rod guides, follower and baseplate.
- » Assembly instructions and installation template.

Model	Horizontal tube bar length	Square spindle mm	Cover finish	Bar finish	Product code
QUICK1D	900	8	Black	Green	QUICK1D908NV
QUICK3D	900	8	Black	Green	QUICK3D908NV

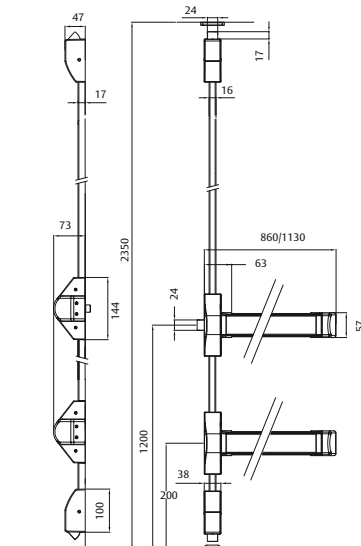
Other finishes: see page 31



QUICK3D



QUICK1D



QUICK3D

Outside device	Blind plate	Blind lever handle	Modular lever handle
No outside opening	•		
Free passing door		•	•
Cylinder locking	Knob / lever handle opening		•
	Captive Key system		• <sup>(1)</sup>

(1) It is needed to lock the outside access device to remove the key

