

TD5 Cylinder



ASSA ABLOY

Technical Data

TD5 is a PATENTED cylinder that covers the basic segment of the TESA range with a cost-benefit balanced solution for master keyed installations.

Characteristics

- » Type: Sawn key (Brass nickel plated).
- » Number of rows: 1
- » Number of pins: 5
- » Technology: Tumbler
- » Permutation level: Grade 2
- » Corrosion Resistance: Grade B
- » Pick protection: Medium level
- » Lifespan: 100.000 test cycles
- » 3 keys per cylinder

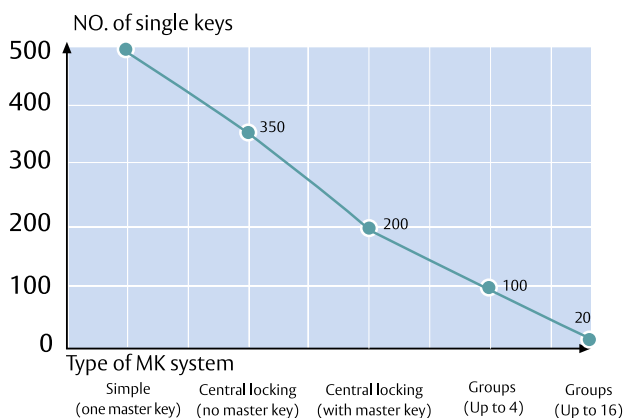
Options

- » Finishes: Brass/Nickel plated
- » Cam: DIN R15 and R13
- » Number of pins: 5
- » Formats available: Master keyed
- » Patent protection: TD5 cylinder is patent protected on the key and cylinder.
- » Wide size and profile range.

Master keyed system

The platform which supports its manufacturing combine 5pins with 10 heights per position. TD5 cylinder includes a MULTIPRO-FILE tree to face master key systems with total working guarantee, increasing by 4 the monoprofile MKS combinatory.

Mks capacity in monoprofile



Security **	Masterkeying ** **
----------------	--------------------------



European standard regulation

In the same way as the main models included in the catalogue, TD5 is certified according to the European standard regulation.

1	6	0	B	0	C	2	0
Key resistance (Grade 0-1)	Lifespan (Grade 4-6)	Door mass (Not applied in cylinders)	Fire resistance (Grade 0-A-B)	Safety of the people (Not applied in cylinders)	Corrosion and temperature resistance (Grade 0-A-B-C)	Key related security (Grade 1 to 6)	Attack resistance (Grade 0-A-B-C-D)

Recommendations

- » Use lubricant to lengthen the maximum lifespan of the cylinder.
- » Use only ORIGINAL TESA KEYS.
- » For safety reasons, when you install a new cylinder, remember that once installed, it should not project more than 1mm.

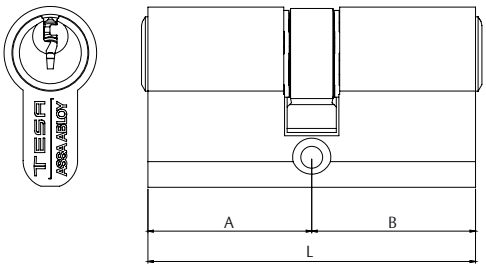
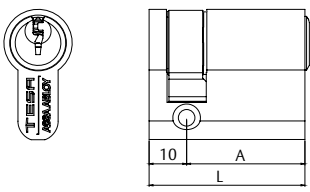
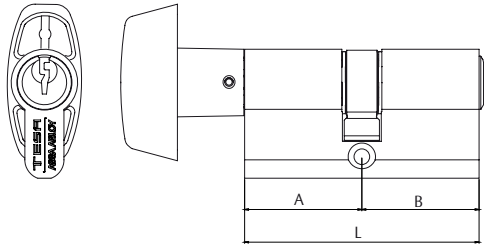


Standard cylinder TD5



European profile

50 uds. (L≤90)
30 uds. (L>90)

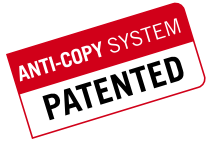
Double european		L	A	B	Cam = 15 mm	Finish	Short cam Cam = 13,2 mm	Finish	
	60	30	30	TD535 30 30 L	Brass	MD530 30 30 N	Nickel		
	65	30	35	TD535 30 35 L	Brass	MD530 30 35 N	Nickel		
	70	30	40	TD535 30 40 L	Brass	MD530 30 40 N	Nickel		
	70	35	35	TD535 35 35 L	Brass	MD530 35 35 N	Nickel		
	75	30	45	TD535 30 45 L	Brass	MD530 30 45 N	Nickel		
	75	35	40	TD535 35 40 L	Brass	MD530 35 40 N	Nickel		
	80	30	50	TD535 30 50 L	Brass	MD530 30 50 N	Nickel		
	80	35	45	TD535 35 45 L	Brass	MD530 35 45 N	Nickel		
	80	40	40	TD535 40 40 L	Brass	MD530 40 40 N	Nickel		
	85	35	50	TD535 35 50 L	Brass	MD530 35 50 N	Nickel		
	90	30	60	TD535 30 60 L	Brass	MD530 30 60 N	Nickel		
	90	35	55	TD535 35 55 L	Brass	MD530 35 55 N	Nickel		
	90	40	50	TD535 40 50 L	Brass	MD530 40 50 N	Nickel		
	90	45	45	TD535 45 45 L	Brass	MD530 45 45 N	Nickel		
	100	30	70	TD535 30 70 L	Brass	MD530 30 70 N	Nickel		
	100	40	60	TD535 40 60 L	Brass	MD530 40 60 N	Nickel		
100	50	50	TD535 50 50 L	Brass	MD530 50 50 N	Nickel			
110	30	80	TD535 30 80 L	Brass	MD530 30 80 N	Nickel			
110	50	60	TD535 50 60 L	Brass	MD530 50 60 N	Nickel			
120	30	90	TD535 30 90 L	Brass	MD530 30 90 N	Nickel			
120	40	80	TD535 40 80 L	Brass	MD530 40 80 N	Nickel			
120	60	60	TD535 60 60 L	Brass	MD530 60 60 N	Nickel			
130	30	100	TD535 31 00 L	Brass	MD530 31 00 N	Nickel			
140	40	100	TD535 41 00 L	Brass	MD530 41 00 N	Nickel			
150	50	100	TD535 51 00 L	Brass	MD530 51 00 N	Nickel			
160	60	100	TD535 61 00 L	Brass	MD530 61 00 N	Nickel			
Single european		L	A	B	Cam = 15 mm	Finish	Cam = 13,2 mm	Finish	
	40	30	10	TD535 30 10 L	Brass	MD530 30 10 N	Nickel		
	45	35	10	TD535 35 10 L	Brass	MD530 35 10 N	Nickel		
	50	40	10	TD535 40 10 L	Brass	MD530 40 10 N	Nickel		
	60	50	10	TD535 50 10 L	Brass	MD530 50 10 N	Nickel		
	70	60	10	TD535 60 10 L	Brass	MD530 60 10 N	Nickel		
	80	70	10	TD535 70 10 L	Brass	MD530 70 10 N	Nickel		
	90	80	10	TD535 80 10 L	Brass	MD530 80 10 N	Nickel		
	100	90	10	TD535 90 10 L	Brass	MD530 90 10 N	Nickel		
	Knob european		L	A	B	Cam = 15 mm	Finish	Cam = 13,2 mm	Finish
		60	30	30	TD53B 30 30 L	Brass	MD53B 30 30 N	Nickel	
65		30	35	TD53B 30 35 L	Brass	MD53B 30 35 N	Nickel		
70		35	35	TD53B 35 35 L	Brass	MD53B 35 35 N	Nickel		
70		40	30	TD53B 40 30 L	Brass	MD53B 40 30 N	Nickel		
80		30	50	TD53B 30 50 L	Brass	MD53B 30 50 N	Nickel		
80		40	40	TD53B 40 40 L	Brass	MD53B 40 40 N	Nickel		
85		35	50	TD53B 35 50 L	Brass	MD53B 35 50 N	Nickel		
90		30	60	TD53B 30 60 L	Brass	MD53B 30 60 N	Nickel		
90		45	45	TD53B 45 45 L	Brass	MD53B 45 45 N	Nickel		

* TD5 is only available in Masterkeying. To order cylinders add AM at the end of the partnumber.

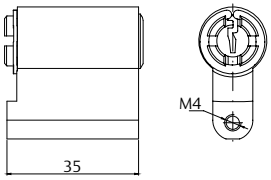
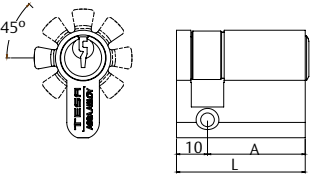
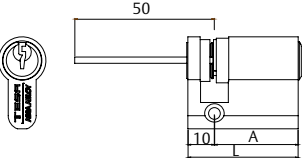
* In order to choose the finish, select 'L' for brass or 'N' for nickel.

* The brass-plated finish in R13 is only available in sizes up to 80mm.

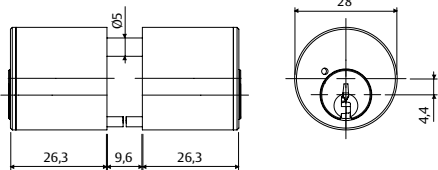
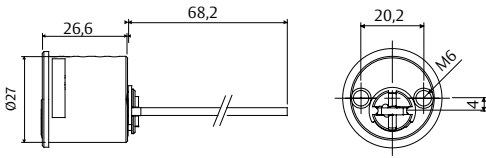
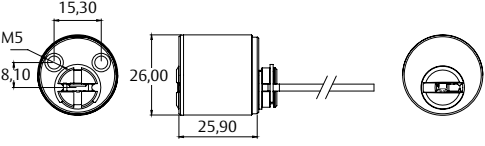
Standard cylinder TD5



European profile

Padlock exchangeable	L	A	B	Product code	Finish
	-	-	-	TD53CL55L	Brass
	-	-	-	TD53CL55N	Nickel
Adjustable cam. Single profile (8 positions)	L	A	B	Product code	Finish
	40	30	10	TD53W3010L	Brass
	40	30	10	TD53W3010N	Nickel
Adjustable european cylinder	L	A	B	Product code	Finish
	40	30	10	TD5R3010L	Brass
	40	30	10	TD5R3010N	Nickel
	50	40	10	TD5R4010L	Brass
	50	40	10	TD5R4010N	Nickel

Round profiles

Model 5000	Ø	Inside length	Outside length	Product code	Finish
	28	26 mm	26 mm	500000LT	Brass
Adjustable round cylinder	Ø	Inside length	Outside length	Product code	Finish
	27	-	Adjustable	55TE00LT	Brass
	27	-	Adjustable	55TE00LN	Nickel
Round for AUMON locks	Ø	Inside length	Outside length	Product code	Finish
	26	-	Adjustable	T53REGAUHL	Brass
	26	-	Adjustable	T53REGAUHN	Nickel
Accessories		Lenght	Product code		Finish
TUBE		22	TUB2526L22L		Brass
TUBE		22	TUB2526L22N		Nickel

* TD5 is only available in Masterkeying. To order cylinders add AM at the end of the partnumber.

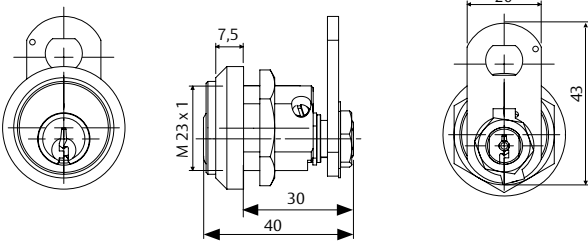
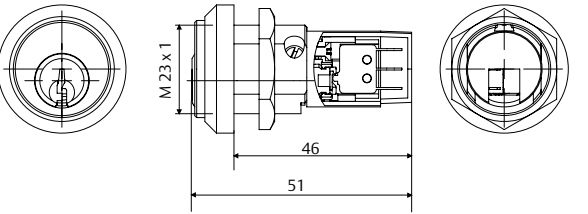
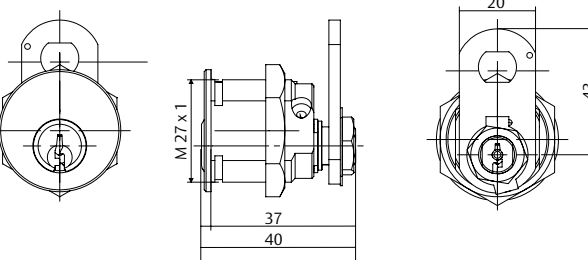
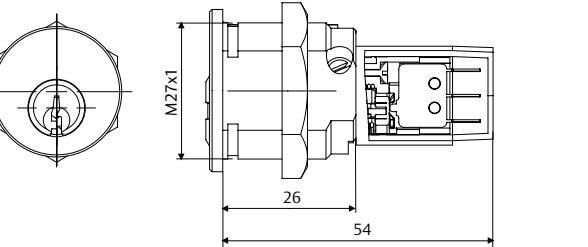
* In order to choose the finish, select 'L' for brass or 'N' for nickel.

* The brass-plated finish in R13 is only available in sizes up to 80mm.



Standard cylinder TD5

Round profiles

682			Metric	Type	Function	Product code	Finish
	23	Mechanic	-	682M23T5NM	Nickel		
	23	Electric	1 switch & return	682M23T5CR	Nickel		
	27	Mechanic	-	682M27T5NM	Nickel		
	27	Electric	1 switch	682M27T51C	Nickel		
	27	Electric	1 switch & return	682M27T5CR	Nickel		
	27	Electric	2 switches	682M27T52C	Nickel		

* TD5 is only available in Masterkeying. To order cylinders add AM at the end of the partnumber.

* In order to choose the finish, select 'L' for brass or 'N' for nickel.

* The brass-plated finish in R13 is only available in sizes up to 80mm.