

# Standard cylinder TE5



ASSA ABLOY

## Technical data

TE5 covers the basic segment of the range. Entirely manufactured and assembled in Spain is the most balanced solution for regular and master keyed installations.

### Characteristics

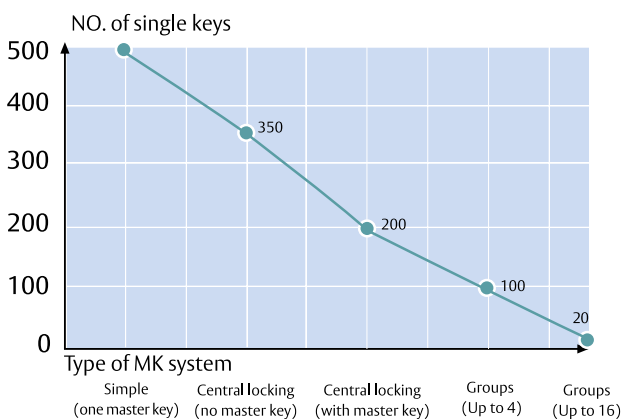
- » Type: Sawn key. (Steel nickel plated).
- » Number of rows: 1
- » Number of pins: 5
- » Technology: Tumbler regular.
- » Permutation level: Grade 5.
- » Corrosion resistance: Grade B.
- » Pick protection: Medium level.
- » Lifespan: 50,000 test cycles.
- » 3 keys per cylinder.
- » Conform to EN-1303 regulation.

### Options

- » Finishes: Brass / Nickel plated.
- » Cam: DIN R15 and R13
- » Formats available: key to differ, master keyed, key alike and specific codes.
- » Wide measurement and profile range.

### Master key systems.

The platform which supports its manufacturing lets combine 10 heights per position. Thanks to that, the TE5 can face master key systems with total working guarantee. Capability graph (Average quantities)



Security	Masterkeying
*	**



### European standard regulation

In the same way as the main models included in the catalogue, TE5 is certified according to the European standard regulation.

1	5	0	B	0	B	2	0
Key resistance (Grade 0-1)	Lifespan (Grade 4-6)	Door mass (Not applied in cylinders)	Fire resistance (Grade 0-A-B)	Safety of the people (Not applied in cylinders)	Corrosion and temperature resistance (Grade 0-A-B-C)	Key related security (Grade 1 to 6)	Attack resistance (Grade 0-A-B-C-D)

### Recommendations

- » Use TESA lubricant to lengthen the maximum lifespan of the cylinder.
- » Use original keys to make copies.
- » For safety reasons, when you install a new cylinder, remember that once installed, it should not project more than 1mm.



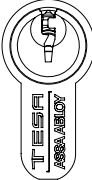
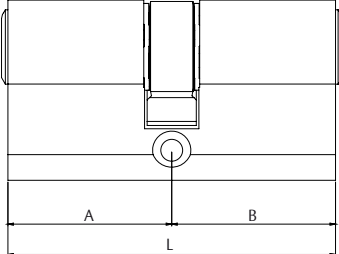

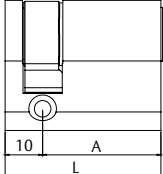

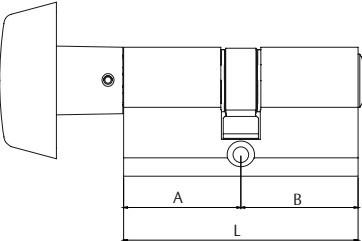
Pour plus d'informations, visitez [www.tesa.es](http://www.tesa.es) ou envoyer un e-mail à [marketing@tesa.es](mailto:marketing@tesa.es)

# Standard cylinder TE5

## European profile



50 units (L≤90)  
30 units (L>90)

Double european		L	A	B	Cam = 15 mm	Finish	Cam = 15 mm	Finish
		60	30	30	5030 30 30 L	Brass	5030 30 30 N	Nickel
		65	30	35	5030 30 35 L	Brass	5030 30 35 N	Nickel
		70	30	40	5030 30 40 L	Brass	5030 30 40 N	Nickel
		70	35	35	5030 35 35 L	Brass	5030 35 35 N	Nickel
		75	30	45	5030 30 45 L	Brass	5030 30 45 N	Nickel
		75	35	40	5030 35 40 L	Brass	5030 35 40 N	Nickel
		80	30	50	5030 30 50 L	Brass	5030 30 50 N	Nickel
		80	35	45	5030 35 45 L	Brass	5030 35 45 N	Nickel
		80	40	40	5030 40 40 L	Brass	5030 40 40 N	Nickel
		85	35	50	5030 35 50 L	Brass	5030 35 50 N	Nickel
		90	30	60	5030 30 60 L	Brass	5030 30 60 N	Nickel
		90	35	55	5030 35 55 L	Brass	5030 35 55 N	Nickel
		90	40	50	5030 40 50 L	Brass	5030 40 50 N	Nickel
		90	45	45	5030 45 45 L	Brass	5030 45 45 N	Nickel
		100	30	70	5030 30 70 L	Brass	5030 30 70 N	Nickel
		100	40	60	5030 40 60 L	Brass	5030 40 60 N	Nickel
		100	50	50	5030 50 50 L	Brass	5030 50 50 N	Nickel
		110	30	80	5030 30 80 L	Brass	5030 30 80 N	Nickel
		110	50	60	5030 50 60 L	Brass	5030 50 60 N	Nickel
		120	30	90	5030 30 90 L	Brass	5030 30 90 N	Nickel
		120	40	80	5030 40 80 L	Brass	5030 40 80 N	Nickel
		120	60	60	5030 60 60 L	Brass	5030 60 60 N	Nickel
		130	30	100	5030 31 00 L	Brass	5030 31 00 N	Nickel
		140	40	100	5030 41 00 L	Brass	5030 41 00 N	Nickel
		150	50	100	5030 51 00 L	Brass	5030 51 00 N	Nickel
		160	60	100	5030 61 00 L	Brass	5030 61 00 N	Nickel
Single european		L	A	B	Cam = 15 mm	Finish	Cam = 15 mm	Finish
		40	30	10	5030 30 10 L	Brass	5030 30 10 N	Nickel
		45	35	10	5030 35 10 L	Brass	5030 35 10 N	Nickel
		50	40	10	5030 40 10 L	Brass	5030 40 10 N	Nickel
		60	50	10	5030 50 10 L	Brass	5030 50 10 N	Nickel
		70	60	10	5030 60 10 L	Brass	5030 60 10 N	Nickel
		80	70	10	5030 70 10 L	Brass	5030 70 10 N	Nickel
		90	80	10	5030 80 10 L	Brass	5030 80 10 N	Nickel
		100	90	10	5030 90 10 L	Brass	5030 90 10 N	Nickel
Knob european		L	A	B	Cam = 15 mm	Finish	Cam = 15 mm	Finish
		60	30	30	503B 30 30 L	Brass	503B 30 30 N	Nickel
		65	30	35	503B 30 35 L	Brass	503B 30 35 N	Nickel
		70	35	35	503B 35 35 L	Brass	503B 35 35 N	Nickel
		70	40	30	503B 40 30 L	Brass	503B 40 30 N	Nickel
		80	30	50	503B 30 50 L	Brass	503B 30 50 N	Nickel
		80	40	40	503B 40 40 L	Brass	503B 40 40 N	Nickel
		85	35	50	503B 35 50 L	Brass	503B 35 50 N	Nickel
		90	30	60	503B 30 60 L	Brass	503B 30 60 N	Nickel
		90	45	45	503B 45 45 L	Brass	503B 45 45 N	Nickel

\* If you wish to order copies of the same key or masterkeying, just add KA or AM at the end of each reference. In the case of Masterkey systems, TE5 is Only available for MKS extensions.

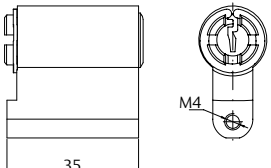
\* In order to choose the finish, select 'L' for brass or 'N' for nickel.

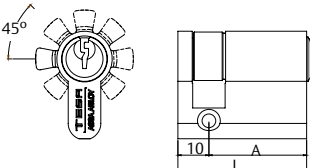
\* The brass-plated finish in R13 is only available in sizes up to 80mm.

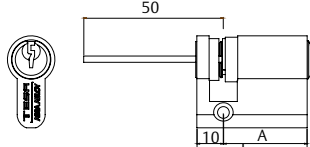
D

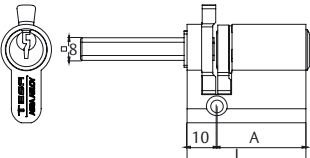
# Standard cylinder TE5

## European profile

Padlock exchangeable	L	A	B	Product code	Finish
	-	-	-	T53CL55L	Brass
	-	-	-	T53CL55N	Nickel

Adjustable cam. Single profile (8 positions)	L	A	B	Product code	Finish
	40	30	10	T53W3010L	Brass
	40	30	10	T53W3010N	Nickel

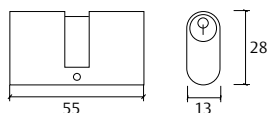
Adjustable european cylinder	L	A	B	Product code	Finish
	40	30	10	TE5R3010L	Brass
	40	30	10	TE5R3010N	Nickel
	50	40	10	TE5R4010L	Brass
	50	40	10	TE5R4010N	Nickel

Euro cylinder for lock set 3,520.	L	A	B	Product code	Finish
	40	30	10	552000LT	Brass
	40	30	10	552000LN	Nickel

\* If you wish to order copies of the same key or masterkeying, just add KA or AM at the end of each reference.

\* In the case of masterkeyings, only available for MKS extensions.

## Oval profile

Oval profile for lock set 2,220*	L	A	B	Product code	Finish
	54	27	27	522060LN	Nickel
	54	27	27	522060LT	Brass

\* It is not TE5. (MKS / KA not available)

\* If you wish to order copies of the same key or masterkeying, just add KA or AM at the end of each reference.

\* In the case of masterkeyings, only available for MKS extensions.

# Standard cylinder TE5

## Round profiles

Model 5000		Ø	Inside length	Outside length	Product code	Finish
		28	26 mm	26 mm	500000LT	Brass

Adjustable round cylinder		Ø	Inside length	Outside length	Product code	Finish
		27	-	Adjustable	55TE00LT	Brass
		27	-	Adjustable	55TE00LN	Nickel

Round for AUMON locks		Ø	Inside length	Outside length	Product code	Finish
		26	-	Adjustable	T53REGAUHL	Brass
		26	-	Adjustable	T53REGAUHN	Nickel
Accessories	Lenght			Product code	Finish	
TUBE	22			TUB2526L22L	Brass	
TUBE	22			TUB2526L22N	Nickel	

\* Tubes to extend the length of the cylinder are sold apart

\* If you wish to order copies of the same key or masterkeying, just add KA or AM at the end of each reference.

\* In the case of masterkeyings, only available for MKS extensions.



# Standard cylinder TE5

## Round profiles

682			Metric	Type	Function	Product code	Finish
			23	Mechanic	-	682M23T5NM	Nickel
			23	Electric	1 switch & return	682M23T5CR	Nickel
			27	Mechanic	-	682M27T5NM	Nickel
			27	Electric	1 switch	682M27T51C	Nickel
			27	Electric	1 switch & return	682M27T5CR	Nickel
			27	Electric	2 switches	682M27T52C	Nickel

\* If you wish to order copies of the same key or masterkeying, just add KA or AM at the end of each reference.

\* In the case of masterkeyings, only available for MKS extensions.