

Multipoint security

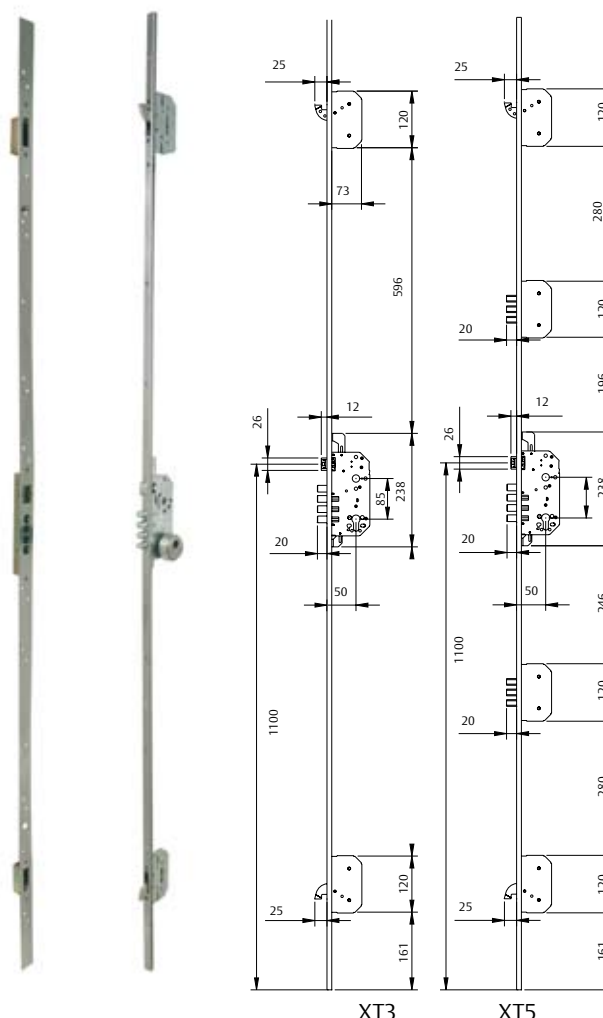


XT Premium Series

The new XT Premium brings the market first class security in wooden doors - it's a new concept encompassing several innovative devices that improve to a great extent the security in the entrance door.

According to the figures provided by ASSA ABLOY's Security Point, the most frequent method used by thieves is inserting a plastic card. They take advantage of the fact that many users don't lock their houses when they leave their homes for limited periods of time. TESA has tackled this issue by including the ANTI-CARD LATCH in the XT PREMIUM. This innovative latch features a no-return system in order to prevent the latch from being removed by tampering with it.

- » A new device with an **independent blocking in every locking point**: if one of the locking points is broken, the rest will remain unaltered, keeping the door blocked.
- » Leverage resistance in the upper central lock **above 1,000 kg**.
- » New auxiliary hooks made of solid steel and anchoring in closed steel boxes in the strike. Great leverage resistance between the leaf and the frame. More than 600 kg in each hook.
- » **New high security E800 escutcheon** and E855 protection plate (optional). The protection of the cylinder and the devices makes it virtually invincible.
- » As for the installation, it's just as simple as the standard TLB, because you can use those mechanizings of the door made for any multipoint, and with the new XT PREMIUM series, the multipoint locks can be re-stocked, either from TESA or from most brands in the market.



Cylinder	mm.	Finish	Strike	3 points XT3 Product code	5 points XT5 Product code
T80	60	AE	40	XT358S64LE	XT558S64LE
T80	70	AE	40	XT358S74LE	XT558S74LE
T80	60	AE	45	XT358S65LE	XT558S65LE
T80	70	AE	45	XT358S75LE	XT558S75LE
T80	60	AI	40	XT358S64LI	XT558S64LI
T80	70	AI	40		XT558S74LI
T80	60	AI	45	XT358S65LI	XT558S65LI
T80	70	AI	45	XT358S75LI	XT558S75LI
S/C	--	AE	40	XT355C4LE	XT555C4LE
S/C	--	AE	45	XT355C5LE	XT555C5LE
S/C	--	AI	40	XT355C4LI	XT555C4LI
S/C	--	AI	45	XT355C5LI	XT555C5LI

NOTE: It is possible to manufacture backset 60 mm.



Escutcheon E800 included

Technical features:

- » Blocking system with independent locking points.
- » Anticard latch.
- » Four bolts in the central case and solid steel hooks.
- » Front and strike both made of steel.
- » Distance between shafts: 85 mm.
- » Backset: 50 mm.
- » XT3 and XT5 models present three and five frontal points.
- » E800 escutcheon:
 - The core and the sleeve are made of reinforced solid steel.
 - Antidrill protection in the reinforced steel cylinder with 9mm thickness.
 - Anticard balls for the protection of the cylinder.
 - Fixing: four screws made of tempered steel.
 - Optional E855 plate.
- » Long strike with a protection central case and adjustable latch, plus closed protection cases for the hook locks. Widths: 40 mm (standard) and 45 mm (optional).
- » Closed cases, galvanized steel.

