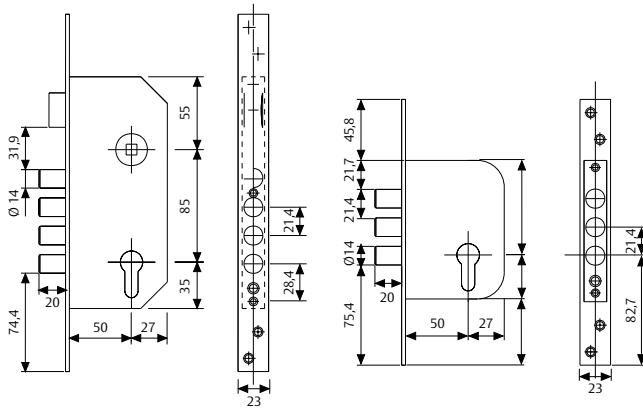


Single point mortise locks

R100B - R101B Series

Cylinder	Backset	Finish	Product code	Product code
T60	60	50	AE	R100B566E R101B566E
T60	60	50	AC	R100B566C R101B566C
T60	70	50	AE	R100B567E R101B567E
T60	60	60	AE	R100B666E R101B666E
S/C	--	50	AE	R100B5SCE R101B5SCE
S/C	--	50	AC	R100B5SCC R101B5SCC



R100B



R101B

Security
**
**

A



Included escutcheon E300L