

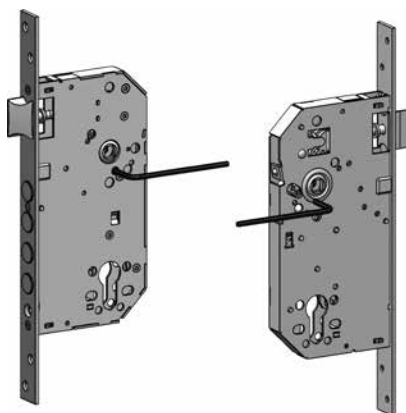
Single point mortise locks

R200B - R20AB - R201B Series

- » Antipanic reversible lock: Panic exit function configurable in the installation.
- » Four roller bolts in nickel plated steel. Ø 14mm. diameter.
- » Three roller bolts in R101B and R201B model.
- » Mechanisms protected in zinc plated steel closed case in R200B model and galvanised steel closed case in R100B model.
- » R201B and R101B have open cases that include top and bottom protective lids.
- » Models R200B and R201B include E700L security escutcheon.
- » Models R100B and R101B include E300L security escutcheon.
- » Locks with rounded edge faceplate and strike plates are also available.
- » Single hole strike plates are also available (One single hole in the strike for the four roller bolts)
- » Panic model also available (R20AB).
- » Anticard latchbolt available (R200B).

Classification

3 S 7 1 0 C 6 B C 2 0



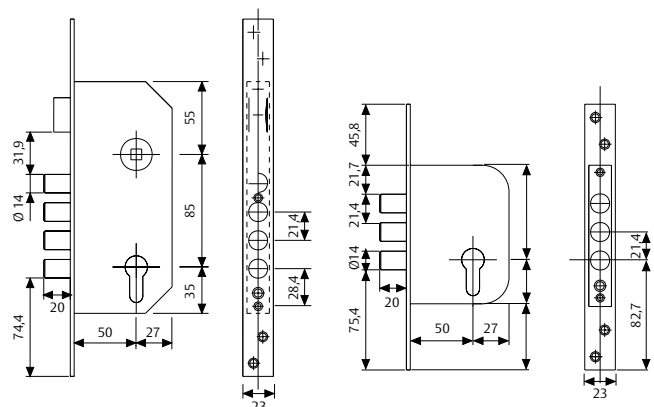
The reversible lock becomes non-antipanic on the side where the screw is removed.



Included escutcheon E700L

R200B - R201B

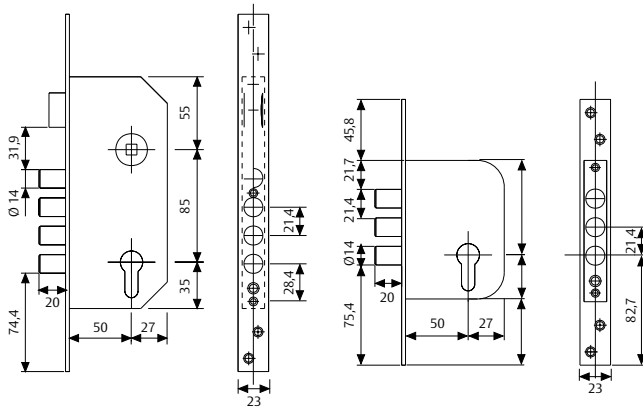
Cylinder	Backset	Finish	Product code	Product code
T60	60	50	LT	R200B566L R201B566L
T60	60	50	AI	R200B566AI R201B566AI
T60	60	50	LN	R200B566N R201B566N
T60	70	50	LT	R200B567L R201B567L
T60	60	50	NE	R200B566NE
T60	60	60	LT	R200B666L R201B666L
T60	60	50	LA	R200B566LA
S/C	--	50	LT	R200B5SCL R201B5SCL
S/C	--	50	LA	R200B5SCLA R201B5SCLA
S/C	--	50	LN	R200B5SCN R201B5SCN
S/C	--	50	NE	R200B5SCNE



Single point mortise locks

R100B - R101B Series

Cylinder	Backset	Finish	Product code	Product code
T60	60	50	AE	R100B566E R101B566E
T60	60	50	AC	R100B566C R101B566C
T60	70	50	AE	R100B567E R101B567E
T60	60	60	AE	R100B666E R101B666E
S/C	--	50	AE	R100B5SCE R101B5SCE
S/C	--	50	AC	R100B5SCC R101B5SCC



R100B



R101B

Security
**
**

A



Included escutcheon E300L

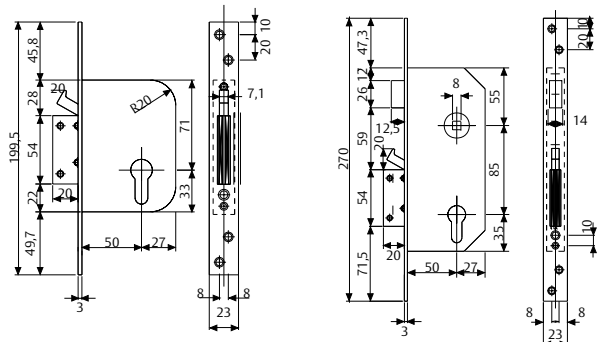
Single point mortise locks

R200N - R201N Series

- » Saw-resistant deadbolt reinforced with tempered steel plates and hardened steel security hook.
- » Deadbolt throw: 20mm.
- » Mechanisms protected in zinc plated steel closed case.
- » R201N has open case that includes top and bottom protective lids.
- » E700L security escutcheon. Anti-drill and anti-extraction attack.
- » Solid brass faceplate and brass plated strike plate.
- » Also available with nickel plated faceplate, strike plate and security escutcheon.
- » Locks with rounded edge faceplate and strike plates are also available.
- » New finish: Stainless steel (AI)
- » Anticard latchbolt available (R200N)



Cylinder	mm.	Finish	Backset	Product code	Product code
T60	60	LT	50	R200NT66T	R201NT66T
T60	60	AI	50	R200NT66AI	R201NT66AI
T60	70	LT	50	R200NT67T	R201NT67T
T60	60	LT	50	R206NT66T	
S/C	--	LT	50	R200N00SC	R201N00SC
S/C	--	LN	50	R200N00SN	R201N00SN
S/C	--	LT	50	R206N600SC	



Includes E700L escutcheon

Accessories

Finish TCBA	R200 / R201N		R200B / R201B / R20AB		BR100B / R101B	TCB
Face plate	LT	LN	LT	LN	AE	LT
Strike	HL	HN	HL	HN	AE	HL
Lock case	Galvanised steel	Galvanised steel	Galvanised steel	Galvanised steel	Galvanised steel	Galvanised steel
	E700L	E700L	E700L	E700L	E700L	E700L
Security escutcheon						