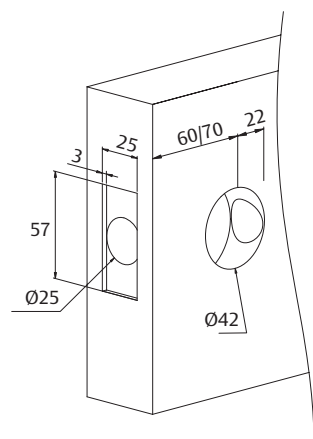


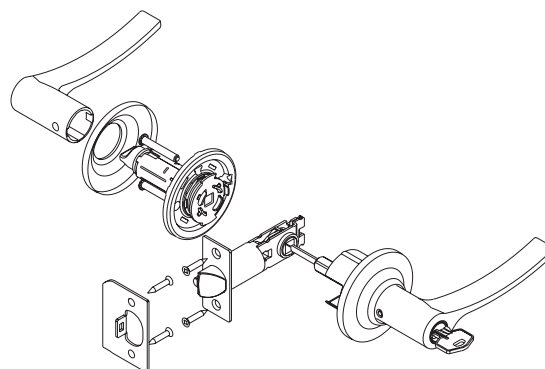
Key-in-lever locksets

Squaring the advantages

- » Multifunctional mechanism for knob or lever, with high component robustness and soft operation.
- » High-end commercial and residential applications.



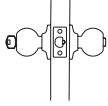
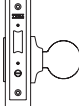
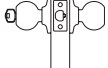

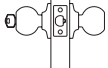
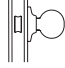
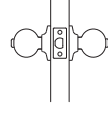

Dimensions in mm



Features	Standard	Special
Technical features	Anti-thrust security pin for functions 0, 1 and 2.	
Anti-corrosion resistance ASTM B117/90	CM,NS144 hours LP,LM 96 hours	
Espesor puerta	33-45 mm for handles 33-52 mm for knobs	
ANSI A156.2	Grade 2: 400.000 cycles	
UL		Up to 1,5 hours of Fire proof
Cylinder	TE5, 5 pin cylinder with 3 keys	Security Cylinder: TD5, TD60, T60, T80, TX80, TK6 Masterkeying and keyed alike
Latch	60/70 Ajustable backset. Latchbolt projection 12,5 mm	
Accessories	Strike, screws, instructions and assembly template.	
Packaging units	20	
Reversibility	All knobsets are reversible - Beware with the hands of some handles	

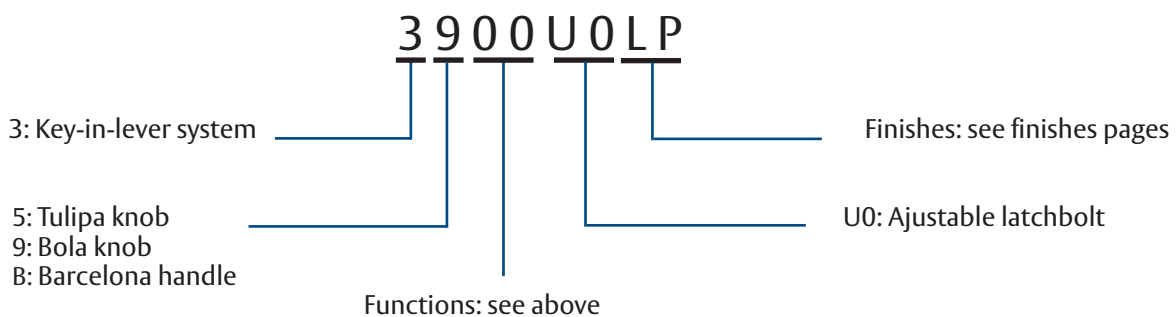
Key-in-lever locksets

Functions

Function	Description	Function	Description
	00 ENTRANCE LOCK: both sides are locked and unlocked by outside key or inside turn-button.		20 ENTRANCE LOCK: both sides are locked and unlocked by outside key or inside knob. Mortise lock. Applicable with electric strike.
	01 ENTRANCE LOCK: locked and unlocked only by outside key. If locked, inside knob/lever is not active.		31 SINGLE DUMMY TRIM: screw attachment from inside of the door.
	02 STOREROOM LOCK: outside fixed, entrance by key only. Inside always unlocked.		34 ENTRANCE LOCK: always unlocked. Applicable to mortise locks.
	03 BED AND BATHROOM LOCKS: both sides are locked and unlocked by the inside turn-button. Emergency release outside.		
	05 PASSAGE LOCK: both sides always unlocked.		



Code interpretation



Key-in-lever locksets

35 Tulipa series

Entrance	Function	Backset	Finish	Packging
	3500	U0 UV	CM - LM - LP NS - BL - NE	20
Entrance	Function	Backset	Finish	Packging
	3501	U0	CM - LM - LP - NS BL - NE	20
Storeroom	Function	Backset	Finish	Packging
	3502	U0	CM - LM - LP - NS BL - NE	20
Bathroom	Function	Backset	Finish	Packging
	3503	U0 UV	CM - LM - LP - NS BL - NE	20
Passage	Function	Backset	Finish	Packging
	3505	U0 UV	CM - LM - LP - NS BL - NE	20
Entrance	Function	Backset	Finish	Packging
	3520	U0	CM - LM - LP - NS BL - NE	20
Single Pull knob	Function	Backset	Finish	Packging
	3531	U0	CM - LM - LP - NS BL - NE	20
Single sq.spindle	Function	Backset	Finish	Packging
	3534	U0	CM - LM - LP - NS BL - NE	20

