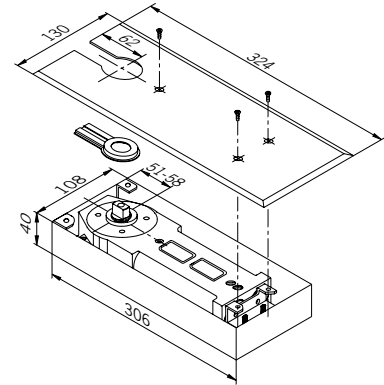
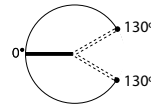


# Floor springs

## CTSU71. Complete kit for double action doors

The CTSU71 is a floor spring which is supplied as a complete kit that includes everything necessary for wooden or metal made double action doors.

- » Three models for 3 sizes:
  - CTSU712 :EN2 Door width: 85 mm.
  - CTSU713: EN3 Door width: 95 cm.
  - CTSU714: EN4 Door width: 110 cm.
- » Independent valves for closing and latching speeds adjustment.
- » Non handed and suitable for double action doors.
- » Fixed spindle for easy installation.
- » Bottom arm supplied made of solid steel and zinc plated for corrosion resistance.
- » The bottom arm includes countersunk holes for quick and easy installation
- » The Top hinge is supplied and includes a needle bearing for superior durability
- » Top hinge with pivot throw adjustment for easy door hanging
- » The Top hinge horizontal position is adjustable (+/- 10 mm) from the door side edge of the door for even easier installation and door levelling corrections.
- » Models can be chosen for Non hold open (-SR-) or Door Hold Open function at 90° (-R0-).
- » The satin Stainless Steel cover plate is included. (IM finish)
- » Maximum door opening: 150°



Size	Model	Hold open	Finish	
2	CTSU712IM	SR	-	Satin stainless steel
2	CTSU712IM	R0	90°	Satin stainless steel
2	CTSU712IM	R5	105°	Satin stainless steel
3	CTSU713IM	SR	-	Satin stainless steel
3	CTSU713IM	R0	90°	Satin stainless steel
3	CTSU713IM	R5	105°	Satin stainless steel
4	CTSU714IM	SR	-	Satin stainless steel
4	CTSU714IM	R0	90°	Satin stainless steel
4	CTSU714IM	R5	105°	Satin stainless steel

