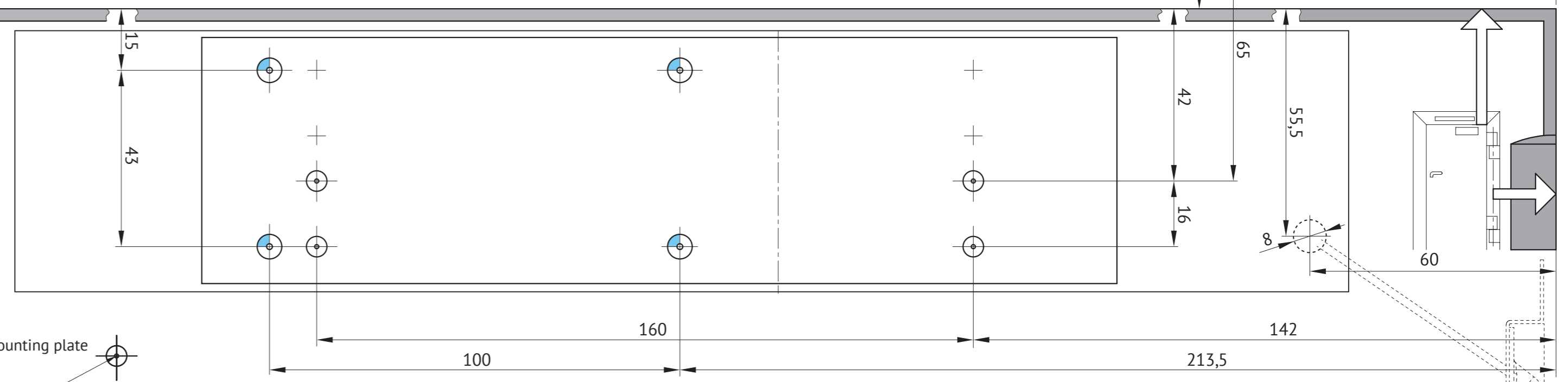
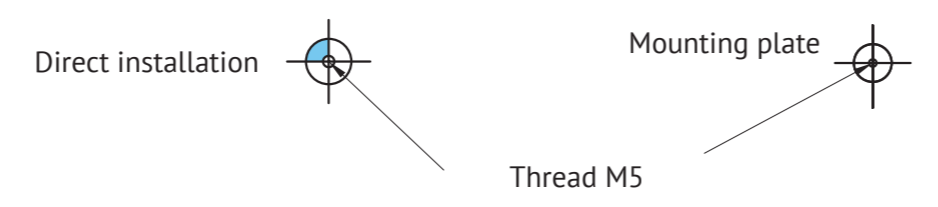


FD740+FD495



Optional 24VDC cable route if installed without FD145