

## ABLOY® CY026

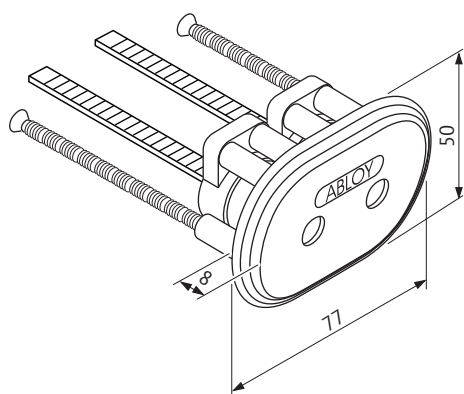
### Twin cylinder for rim locks



#### Product description

Cylinder to be used with Abloy rim lock.

The lock can be opened from outside by a key.



#### Technical data

Available key systems	ABLOY PROTEC, ABLOY PROTEC <sup>2</sup> , ABLOY SENTO, ABLOY EASY, ABLOY CLASSIC
Available plating options	Bright chrome (Cr), Satin chrome (HCr), Bright brass (MSKiLa), Satin brass (MSHaLa), Brushed nickel (NiHa), Antimicrobial painted ACTIVE Val (white) / Mus (black) / Har (gray) / Gra (graphite)
Cylinder dimensions	77mm x 50mm x 8mm
Weight	0.35kg

This content is protected by Intellectual Property Rights Laws. The title to the content shall not pass to you, and instead shall remain with Abloy Oy or a third party holding the title. Abloy develops continuously the products and solutions offered. Therefore, the information contained in the document is subject to change without notice. ABLOY PROVIDES THIS CONTENT ON AN "AS IS" BASIS WITHOUT ANY WARRANTIES OF ANY KIND, EXPRESS, IMPLIED, OR STATUTORY."