

## ABLOY® CY060

### Door lock single cylinder for Finnish type mortice locks



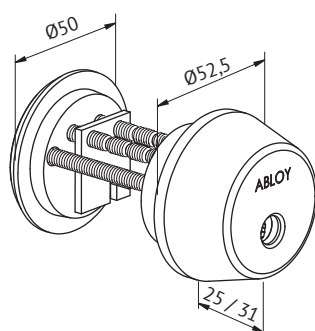
#### Product description

Single outside exterior cylinder to be used with mortice lock cases for standard doors, both mechanical and electric lock cases.

Lock is operated by key from outside the door.

#### Overview of Advantages

- Can be use with wide range of Finnish type mortice lock cases for standard doors
- Strong burglary protection
- Suitable for both outer and inner door use
- Adjustable during installation to match different door thicknesses
- Several plating options, also antimicrobial paints



#### Technical data

Available key systems	ABLOY PROTEC, ABLOY PROTEC <sup>2</sup> , ABLOY NOVEL, ABLOY SENTO, ABLOY CLASSIC
Available plating options	Bright chrome (Cr), Satin chrome (HCr), Brushed nickel (NiHa), Bright brass (MSKiLa), Satin brass (MSHaLa), Antimicrobial painted ACTIVE Val (white) / Mus (black) / Har (gray) / Gra (graphite)
Cylinder ring dimensions	52mm
Cylinder ring height	Standard 25mm, for thin doors 31mm
Inside plate diameter	52mm
Suitable for fire doors	Yes
	Key related security 6, attack resistance C
Weight	0.4kg
Possible door thicknesses:	42...152mm

This content is protected by Intellectual Property Rights Laws. The title to the content shall not pass to you, and instead shall remain with Abloy Oy or a third party holding the title. Abloy develops continuously the products and solutions offered. Therefore, the information contained in the document is subject to change without notice. ABLOY PROVIDES THIS CONTENT ON AN "AS IS" BASIS WITHOUT ANY WARRANTIES OF ANY KIND, EXPRESS, IMPLIED, OR STATUTORY."