

## ABLOY® CY065

### Finnish type cylinder for narrow stile mortice locks



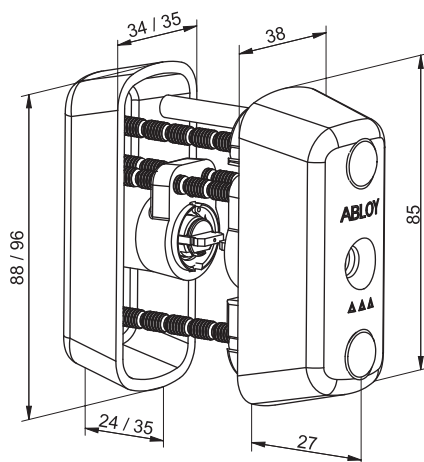
#### Product description

Finnish type double cylinder to be used with mortice lock cases for narrow stile doors, both mechanical and electric lock cases.

Lock is operated outside and inside by a key.

#### Overview of Advantages

- Can be use with wide range of Finnish type mortice lock cases for narrow stile doors
- Strong burglary protection
- Suitable for both outer and inner door use
- Adjustable during installation to match different door thicknesses
- Several plating options, also antimicrobial paints



#### Technical data

Available key systems	ABLOY PROTEC, ABLOY PROTEC <sup>2</sup> , ABLOY NOVEL, ABLOY SENTO, ABLOY CLASSIC
Available plating options	Bright chrome (Cr), Satin chrome (HCr), Bright brass (MSKiLa), Satin brass (MSHaLa), Brushed nickel (NiHa), Antimicrobial painted ACTIVE Val (white)/ Mus (black)/Har (gray)/Gra (graphite)
Cylinder shield dimensions (out)	85 x 38mm, height 27mm
Cylinder shield dimensions (in)	88/96 x 34/35mm, height 24/35mm
Suitable for fire doors	Yes
	Key related security 6, attack resistance D
Weight	0.6kg
Possible door thicknesses:	42...111mm

This content is protected by Intellectual Property Rights Laws. The title to the content shall not pass to you, and instead shall remain with Abloy Oy or a third party holding the title. Abloy develops continuously the products and solutions offered. Therefore, the information contained in the document is subject to change without notice. ABLOY PROVIDES THIS CONTENT ON AN "AS IS" BASIS WITHOUT ANY WARRANTIES OF ANY KIND, EXPRESS, IMPLIED, OR STATUTORY."