

ABLOY® CY066

Finnish type cylinder for narrow stile mortice locks



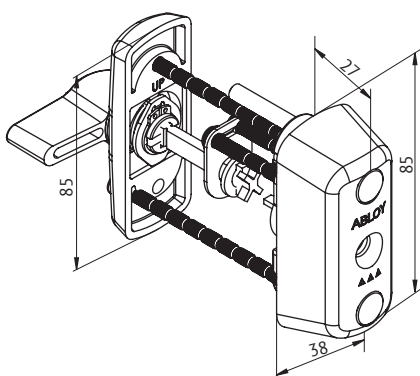
Product description

Cylinder with thumbturn to be used with mortice lock cases for narrow stile doors, both mechanical and electric lock cases.

Lock is operated by key from outside and by thumbturn inside the door.

Overview of Advantages

- Can be used with wide range of Finnish type mortice lock cases for narrow stile doors
- Strong burglary protection
- Suitable for both outer and inner door use
- Adjustable during installation to match different door thicknesses
- Several plating options, also antimicrobial paints



Technical data

Available key systems	ABLOY PROTEC, ABLOY PROTEC ² , ABLOY NOVEL, ABLOY SENTO, ABLOY CLASSIC
Available plating options	Bright chrome (Cr), Satin chrome (HCr), Bright brass (MSKiLa), Satin brass (MSHaLa), Brushed nickel (NiHa), Antimicrobial painted ACTIVE Val (white)/ Mus (black)/Har (gray)/Gra (graphite)
Cylinder shield dimensions	85 x 38mm, height 27mm
Thumbturn plate dimensions	85 x 32mm
Suitable for fire doors	Yes
	Key related security 6, attack resistance D
Weight	0.8kg
Possible door thicknesses:	42...111mm

This content is protected by Intellectual Property Rights Laws. The title to the content shall not pass to you, and instead shall remain with Abloy Oy or a third party holding the title. Abloy develops continuously the products and solutions offered. Therefore, the information contained in the document is subject to change without notice. ABLOY PROVIDES THIS CONTENT ON AN "AS IS" BASIS WITHOUT ANY WARRANTIES OF ANY KIND, EXPRESS, IMPLIED, OR STATUTORY."