

ABLOY® KD224

Door mounted key deposit housing

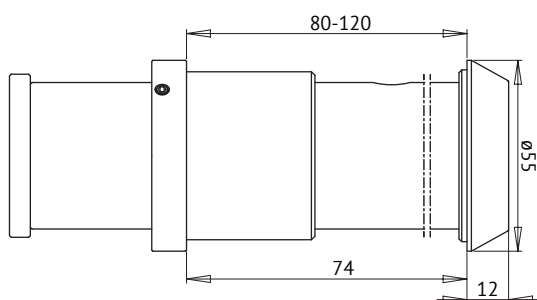


Product description

Can be outfitted with the CY509 cylinder.

Overview of Advantages

- Chrome coating
- Product is tested and certified according to the most demanding standards SFS 5970, SFS 7020, FA security grade 3



Technical data

Available plating options	Chrome (Cr)
Cylinder size	Diameter 50mm, length 155mm
Possible door thicknesses	81–120mm
	FA3
Weight	0.77kg

This content is protected by Intellectual Property Rights Laws. The title to the content shall not pass to you, and instead shall remain with Abloy Oy or a third party holding the title. Abloy develops continuously the products and solutions offered. Therefore, the information contained in the document is subject to change without notice. ABLOY PROVIDES THIS CONTENT ON AN "AS IS" BASIS WITHOUT ANY WARRANTIES OF ANY KIND, EXPRESS, IMPLIED, OR STATUTORY."