

ABLOY® ME155

ANSI Tubular deadbolt cylinder with lockable thumbturn CY413, tubular deadbolt lock case LC801

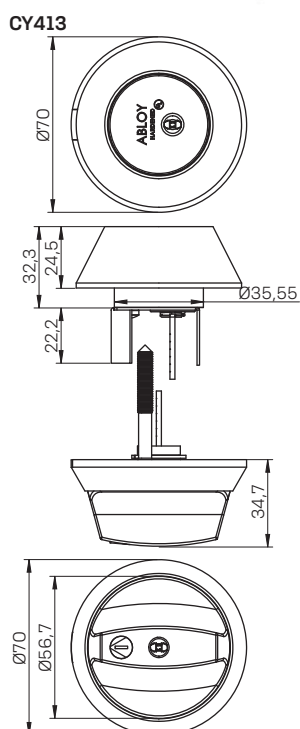


Product description

Lock is operated by key from outside and by thumbturn inside the door.

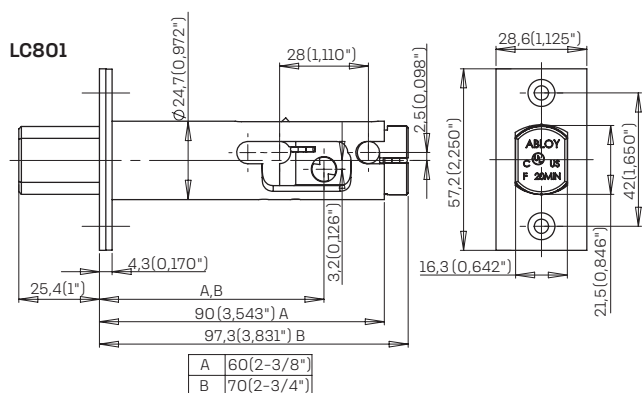
Overview of Advantages

- Can be use with ANSI range applications
- Suitable for both outer and inner door use
- UL listed products
- Case hardened steel cylinder housing
- High Security H2X bolt
- - hardened steel
- - Full 2" bolt will withstand 2 tons force
- 1/4" (6mm) hardened steel retaining screws
- Reinforced steel strike box
- Protective bolt shield
- Several plating options



Technical data

Available key systems	ABLOY PROTEC, ABLOY PROTEC ² , ABLOY NOVEL
Available plating options	Bright chrome (Cr), Brushed chrome (CrHa), Bright brass (MSKiLa), Satin brass (MSHaLa)
Cylinder length	24,5mm
Length adjustable	60mm or 70mm
Suitable for fire doors	Yes
UL listed product	Yes
Weight	0,96kg



This content is protected by Intellectual Property Rights Laws. The title to the content shall not pass to you, and instead shall remain with Abloy Oy or a third party holding the title. Abloy develops continuously the products and solutions offered. Therefore, the information contained in the document is subject to change without notice. ABLOY PROVIDES THIS CONTENT ON AN "AS IS" BASIS WITHOUT ANY WARRANTIES OF ANY KIND, EXPRESS, IMPLIED, OR STATUTORY."