

## ABLOY® POLAR 6

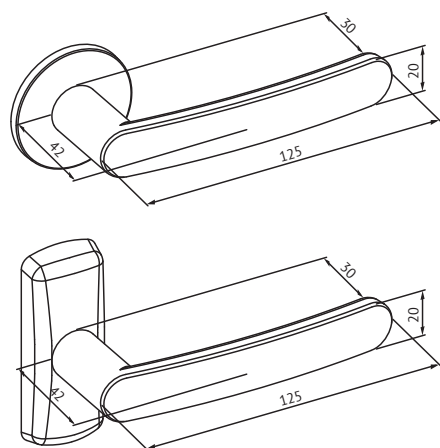


### Product description

Handle for solid and profile narrow stile doors. Several versions for solid and profile doors, as a handle pair, inside handle and outside handle with PBEO01 Panic bar.

### Overview of Advantages

- Brass based, durability handle for use in high traffic exterior and interior doors.
- Handle is equipped with return spring.



### Technical data

Material	Brass
Surfaces	Chrome (Cr), Satin chrome (HCr), Polished brass (KiLa), Brushed brass (HaLa), Antimicrobial-coating ACTIVE Val/Mus/Har/Gra
Standards	EN 1906/3 (EH006/EN179)
Door thicknesses	40–60mm, 60–80mm, 80–100mm
Suitable for fire doors	Yes
Delivery batch	1 pair
Product code	DH006 / EH006

This content is protected by Intellectual Property Rights Laws. The title to the content shall not pass to you, and instead shall remain with Abloy Oy or a third party holding the title. Abloy develops continuously the products and solutions offered. Therefore, the information contained in the document is subject to change without notice. ABLOY PROVIDES THIS CONTENT ON AN "AS IS" BASIS WITHOUT ANY WARRANTIES OF ANY KIND, EXPRESS, IMPLIED, OR STATUTORY."