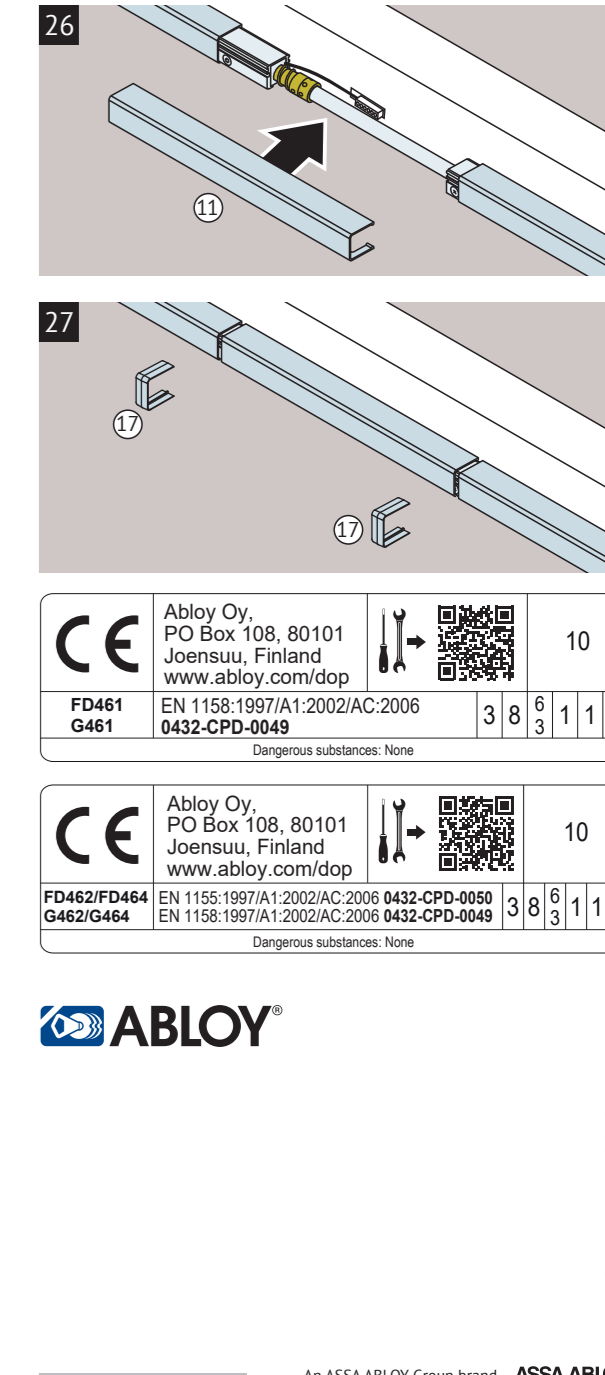
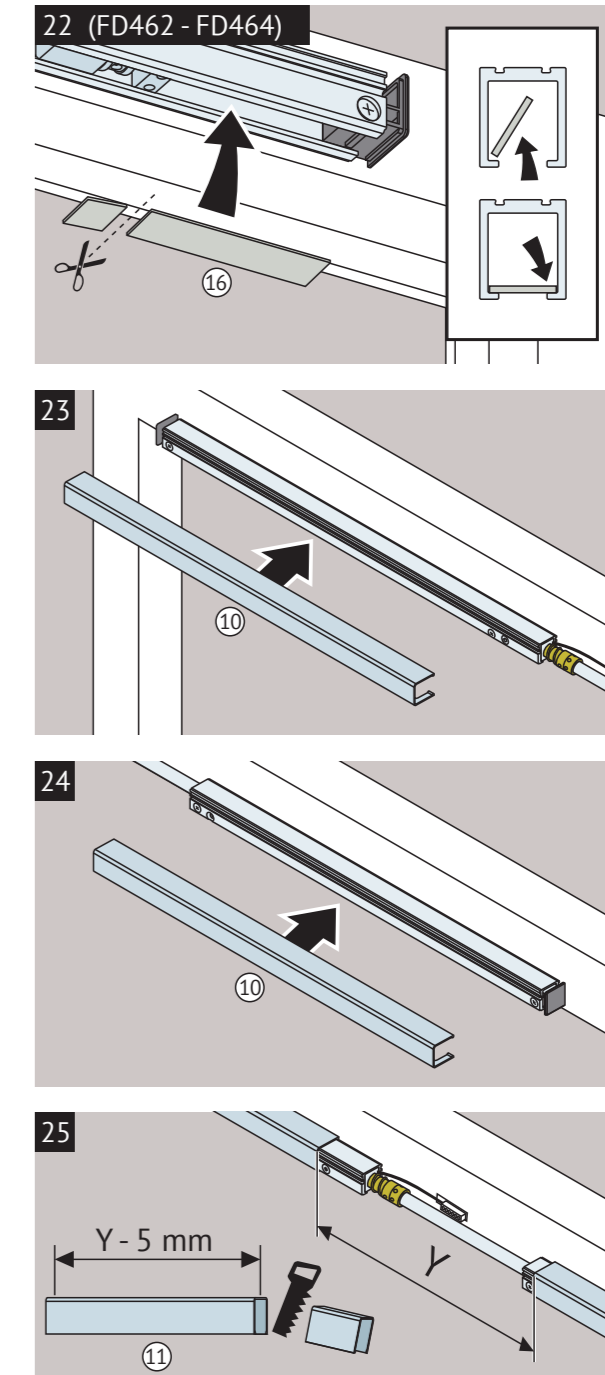
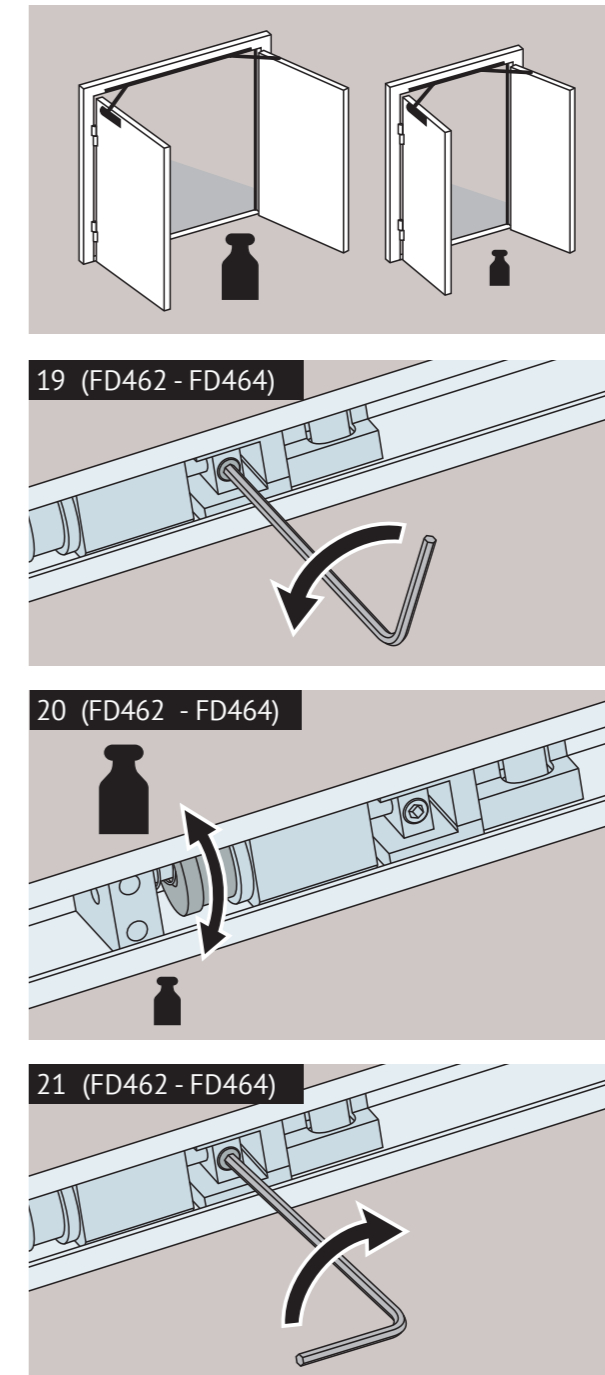
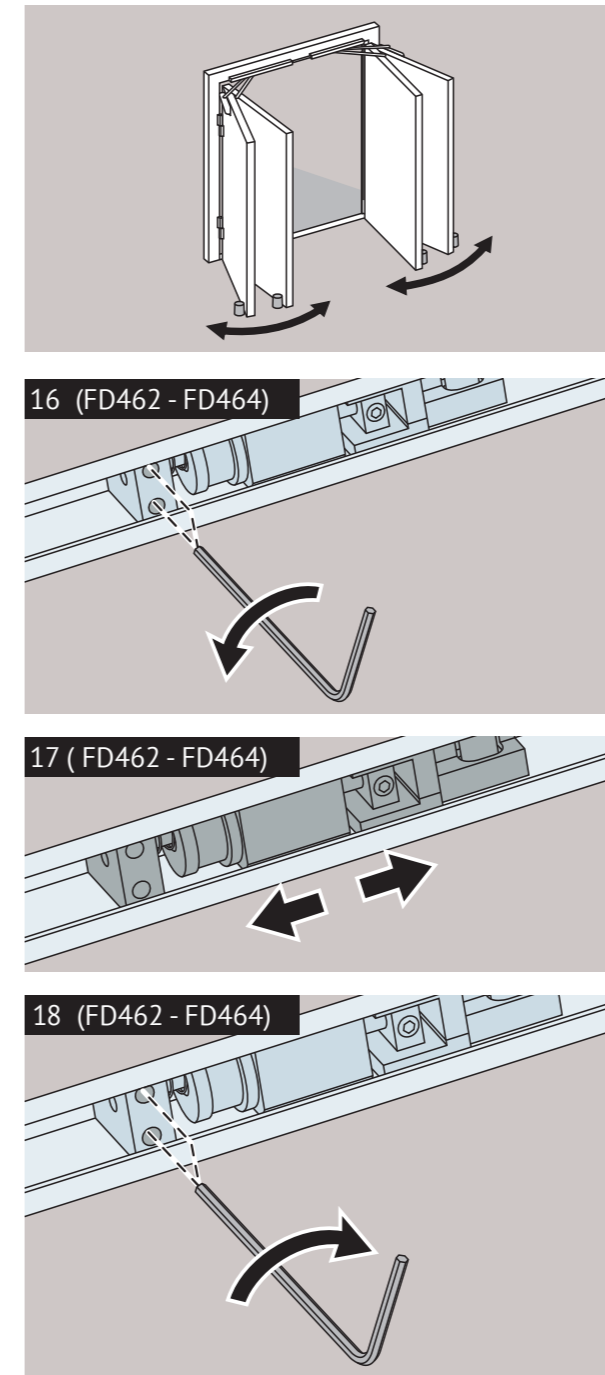
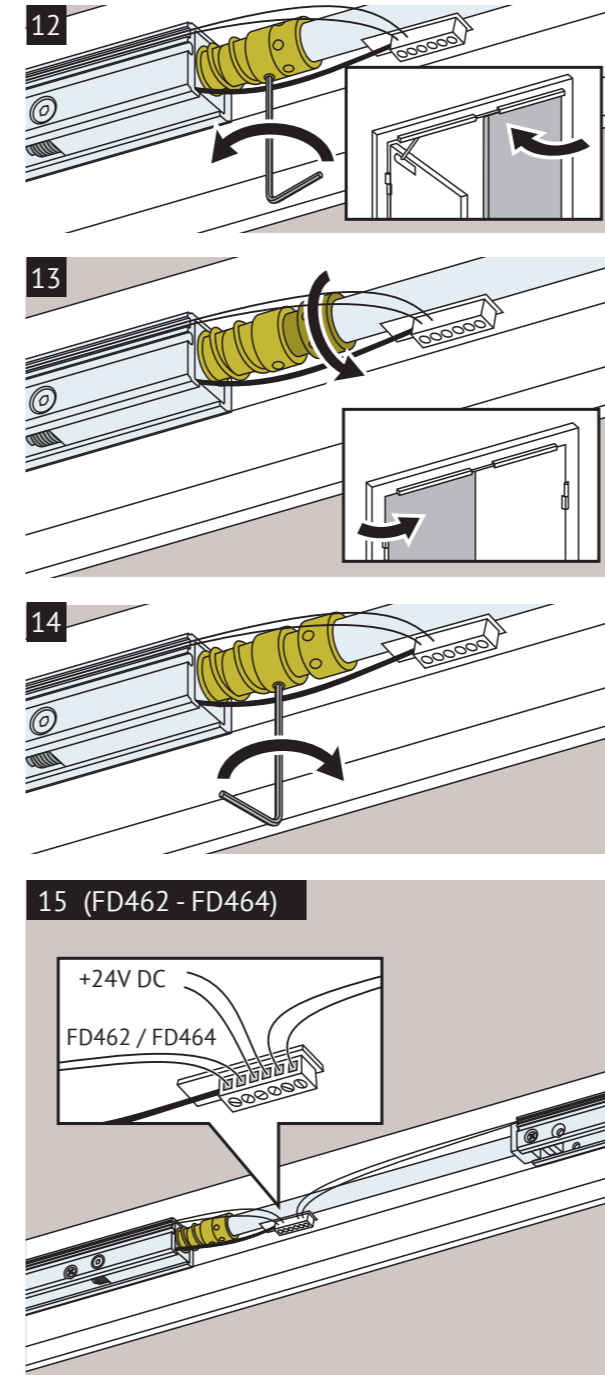
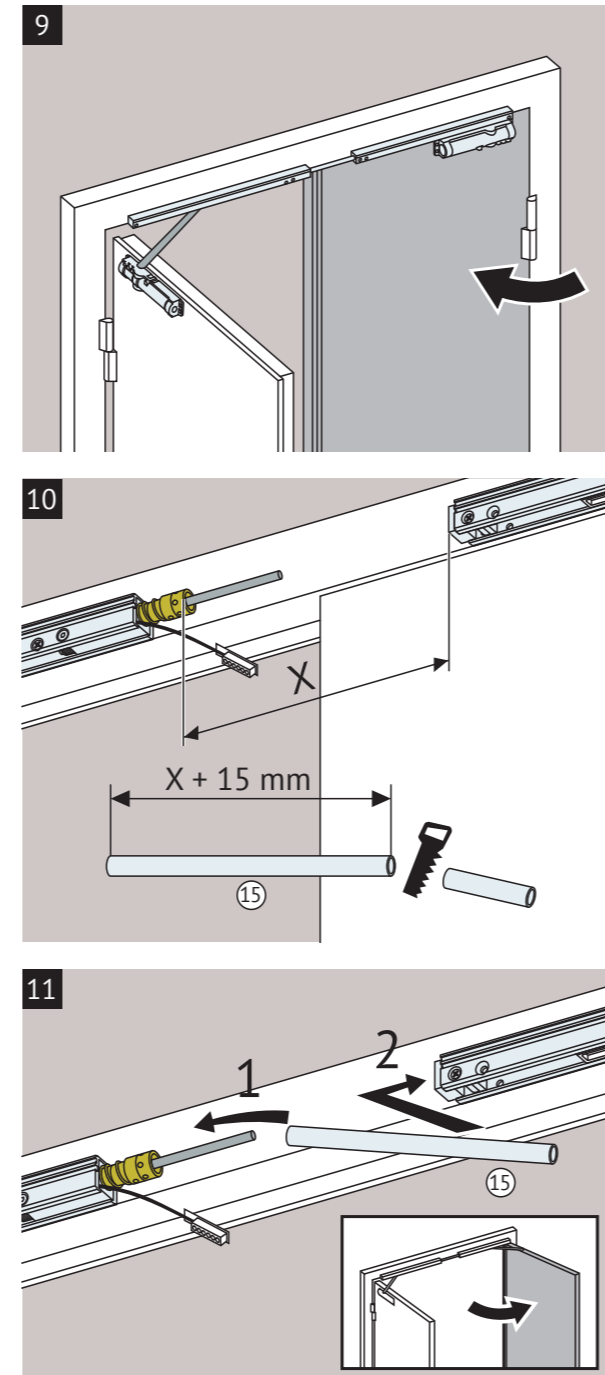
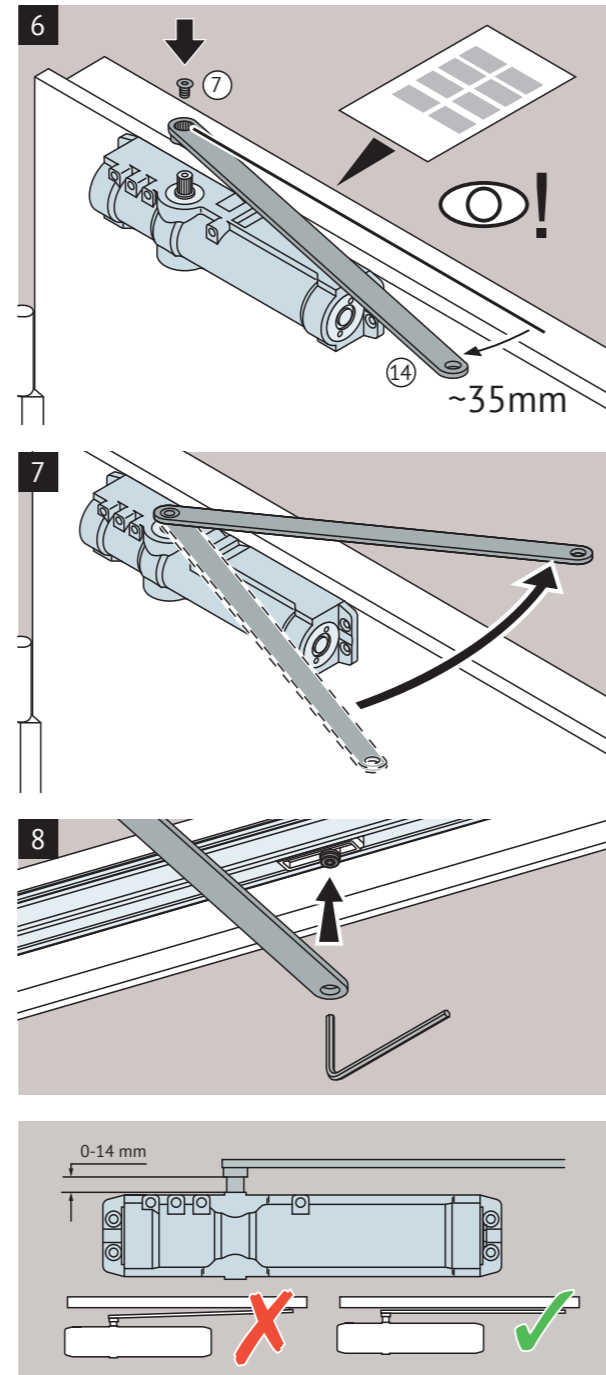
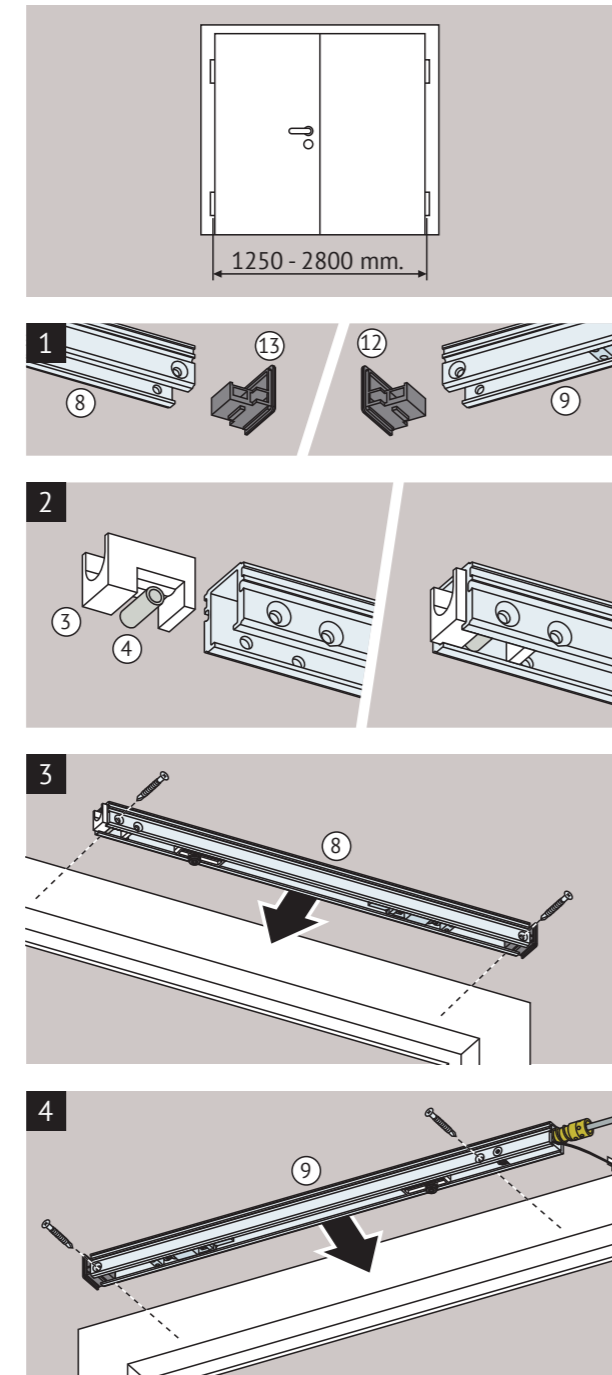
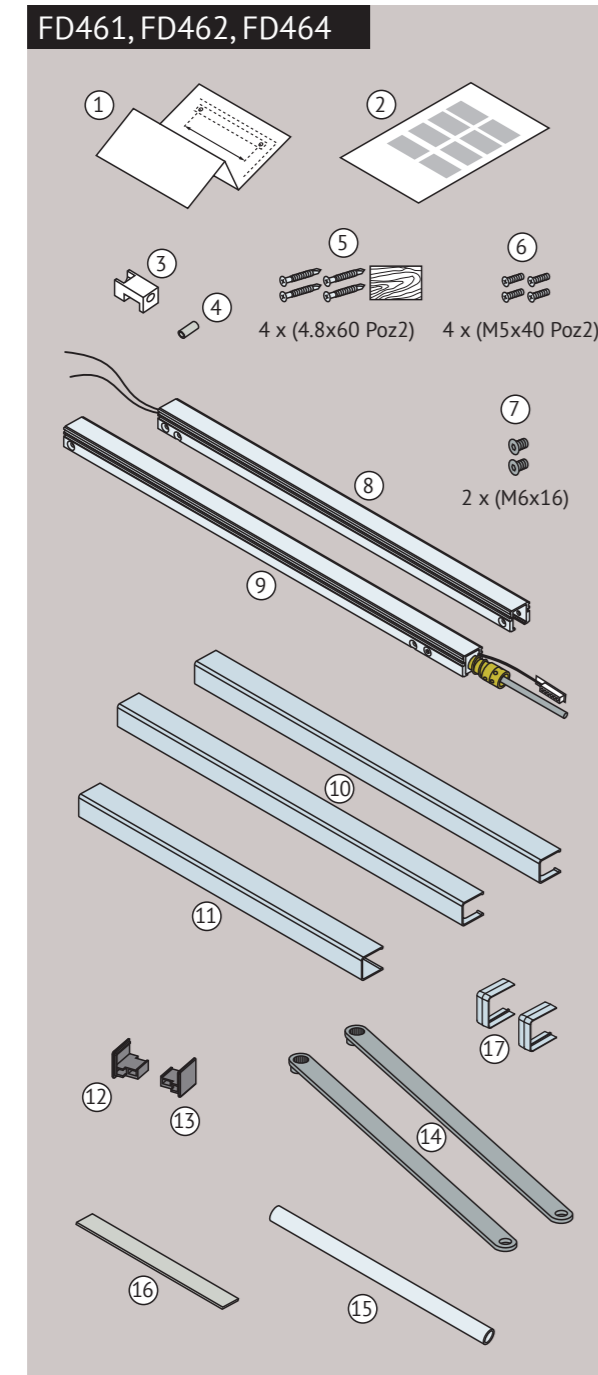
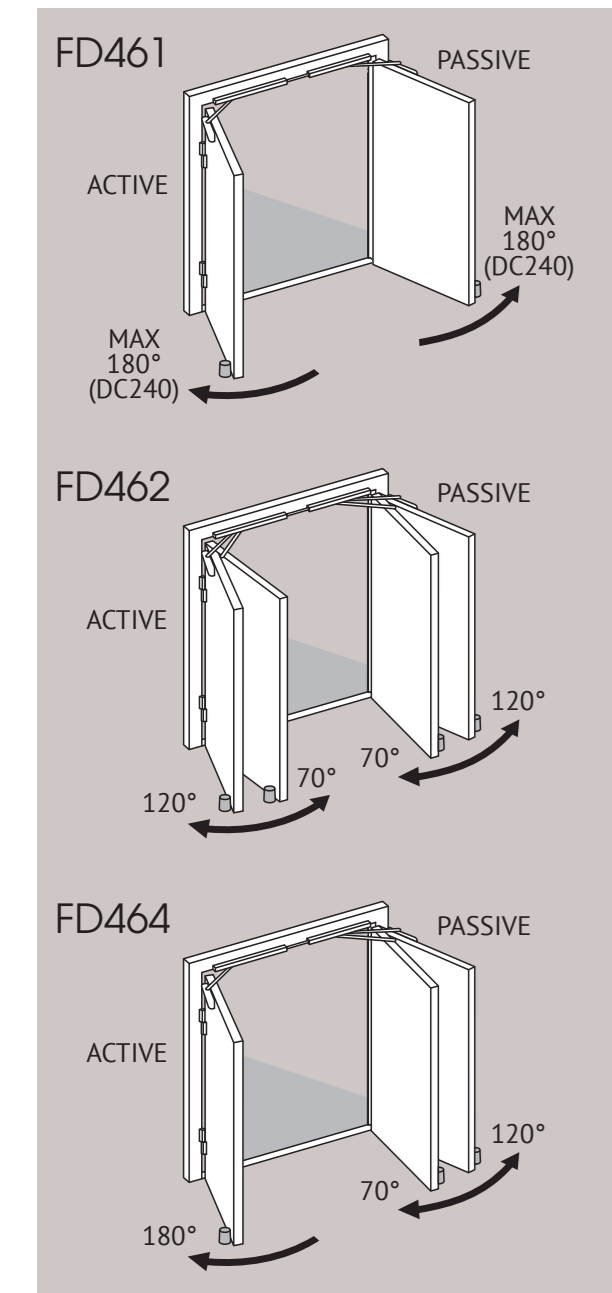


FD461, FD462, FD464



CE	Abloy Oy, PO Box 108, 80101 Joensuu, Finland www.abloy.com/dop	10
FD461 G461	EN 1158:1997/A1:2002/AC:2006 0432-CPD-0049	3 8 6 3 1 1 3
Dangerous substances: None		

CE	Abloy Oy, PO Box 108, 80101 Joensuu, Finland www.abloy.com/dop	10
FD462/FD464 G462/G464	EN 1158:1997/A1:2002/AC:2006 0432-CPD-0050 EN 1158:1997/A1:2002/AC:2006 0432-CPD-0049	3 8 6 3 1 1 3
Dangerous substances: None		

