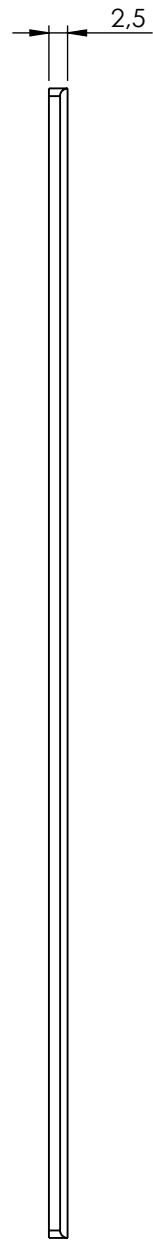
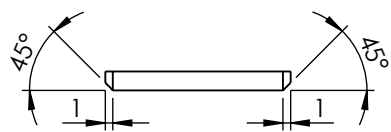
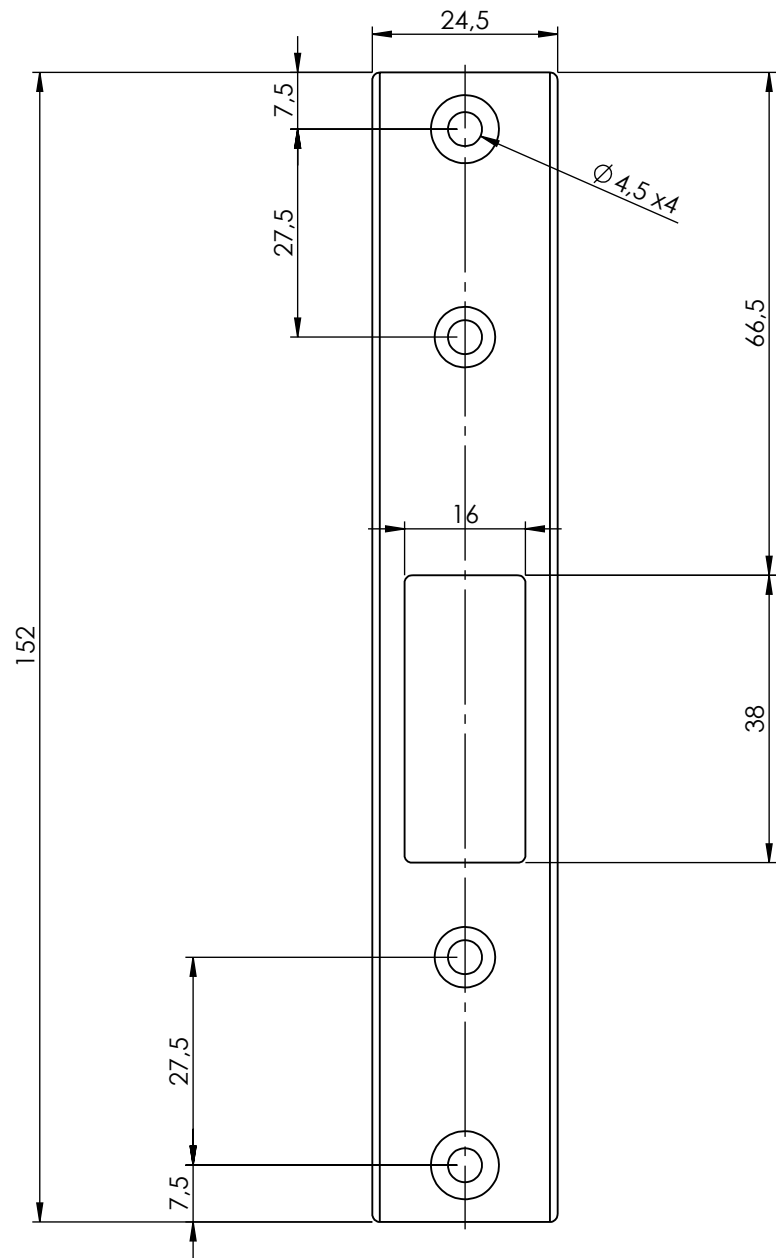


If not mentioned otherwise, dimensions do not include coating.
 This work is copyright and no part may be reproduced, by any process, nor may any other exclusive right be exercised without the permission of ASSA ABLOY.



Surface treatment: 456466			Material:			General tolerance: ISO 8015 ISO 2768-mH		
Volume:	Mass:	Surface area:	Created (YYYY-MM-DD):	Designed by:	Drawn by:	Scale: 1:1 (A3)	Projection: 	
ASSA ABLOY			ABLOY 4613			Alternate ID		
						Document ID		Rev.: 1