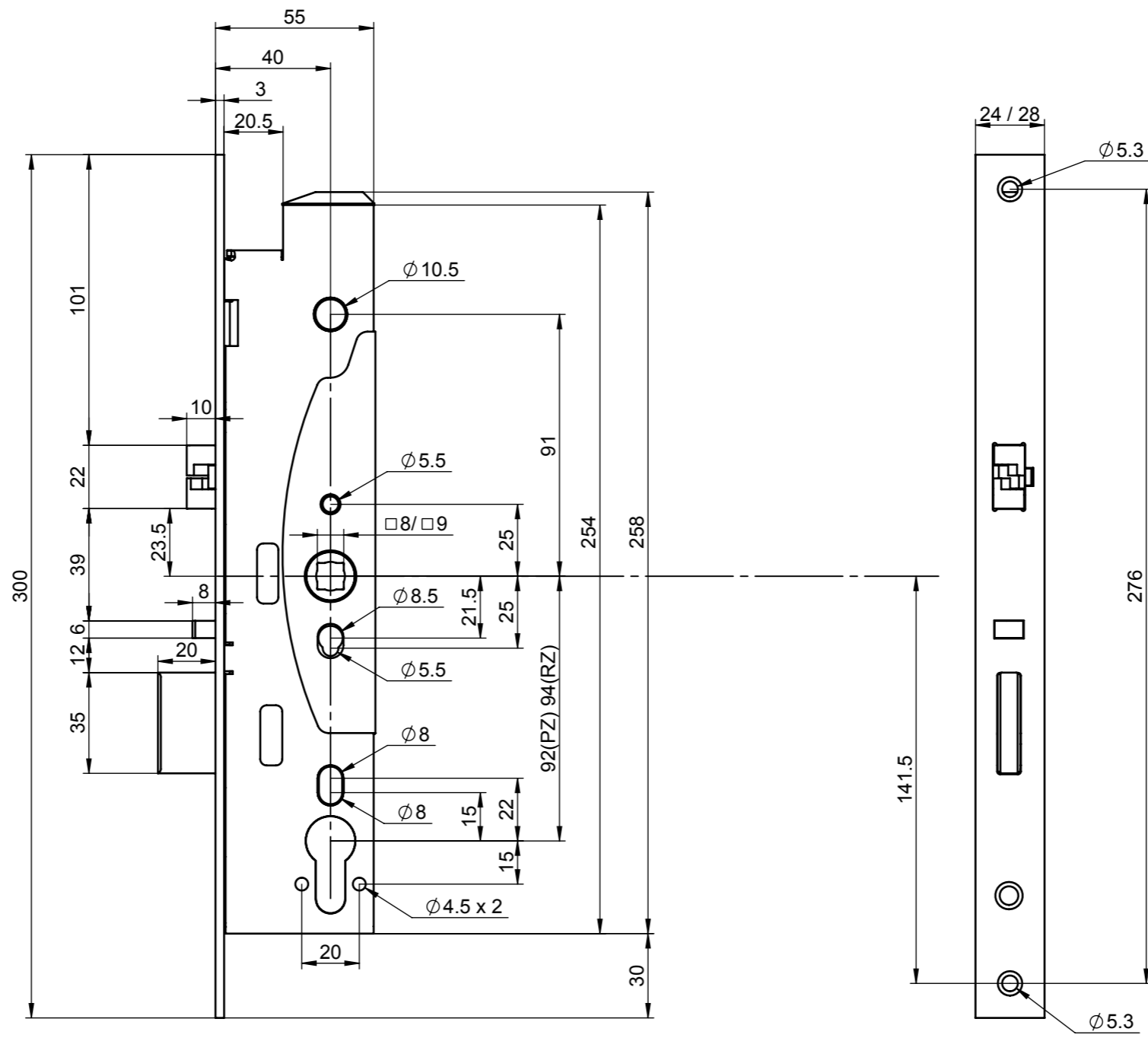

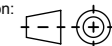


This document is our property and shall not without our permission be altered, copied, used for manufacturing or communicated to any other person or company.



Surface: 456466		Material:		General tolerance: ISO 2768-mH		
Volume:	Weight:	Surface area:	created: 05.02.2015 JK	designed by:	changed by:	
 <b>ABLOY</b> Abloy Oy An ASSA ABLOY Group brand			ABLOY EL432 / 40		Scale: 1:2 (A3)	
			Document ID		Projection: 	
Part/assy:					Configuration:Default	Rev.: <b>1</b>