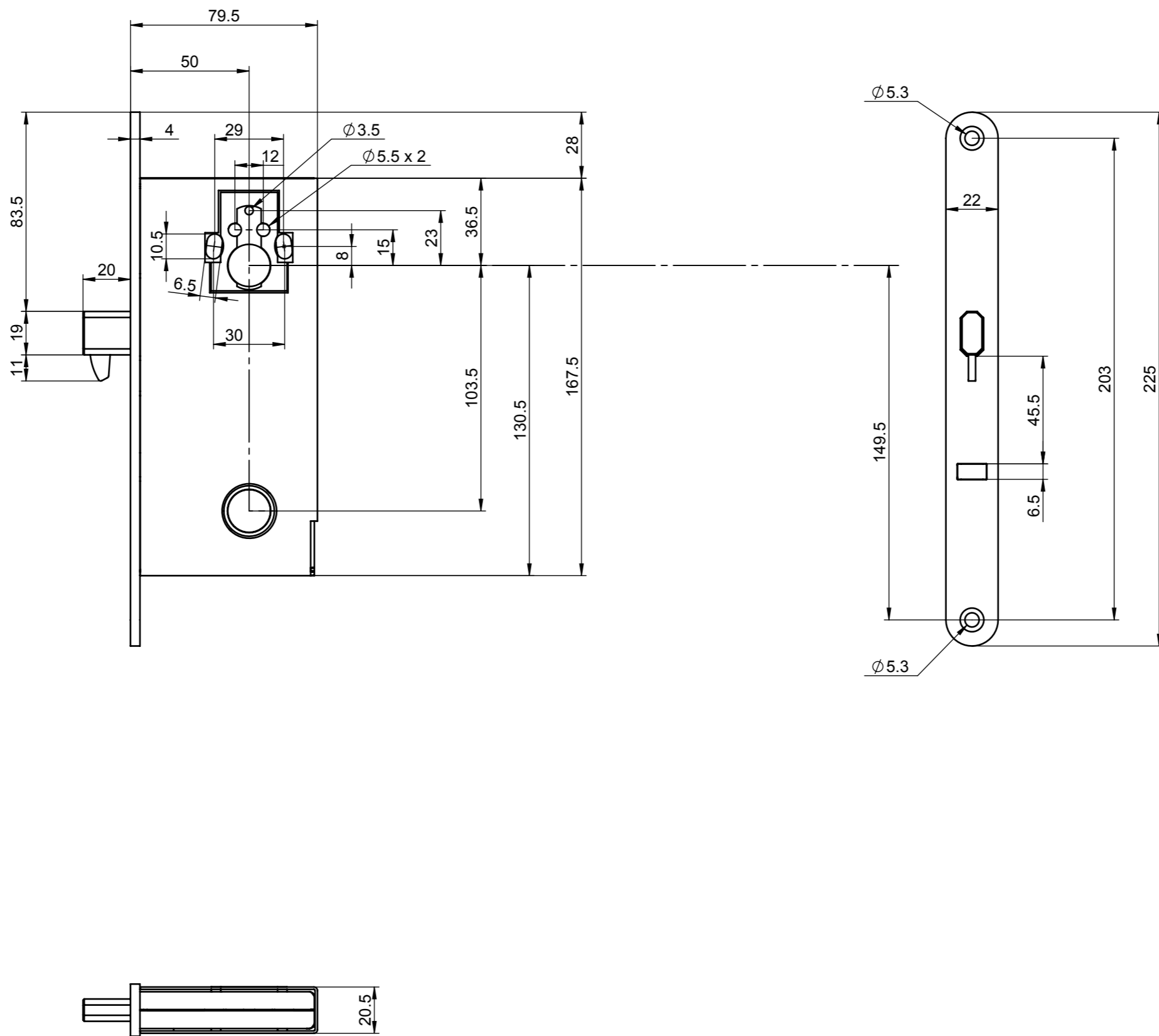

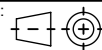


This document is our property and shall not without our permission be altered, copied, used for manufacturing or communicated to any other person or company.



| | | | | | | |
|--|---------|---------------|---------------------------|--------------|---|--------------------|
| Surface: 456466 | | Material: | | | General tolerance: ISO 2768-mH | |
| Volume: | Weight: | Surface area: | created: 05.12.2018 JK | designed by: | changed by: | Scale: 1:2 (A3) |
|  Abloy Oy An ASSA ABLOY Group brand | | ABLOY EL578 | | | Projection:  | |
| | | Document ID | | | | Rev.: 1 |

Part/assy:

Configuration:Default

SHEET 1 OF 1