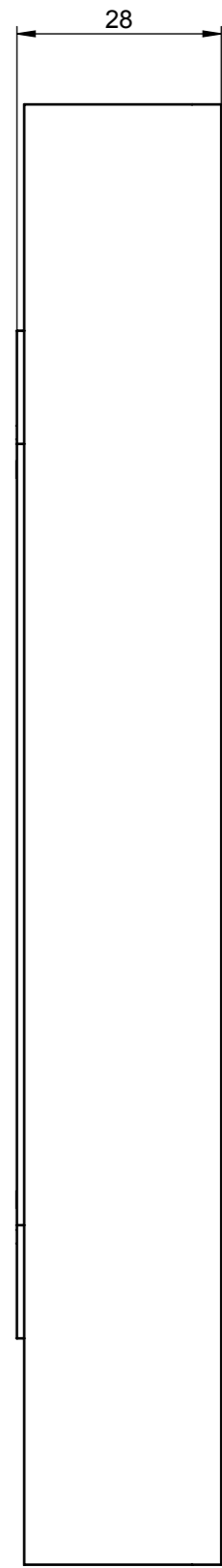
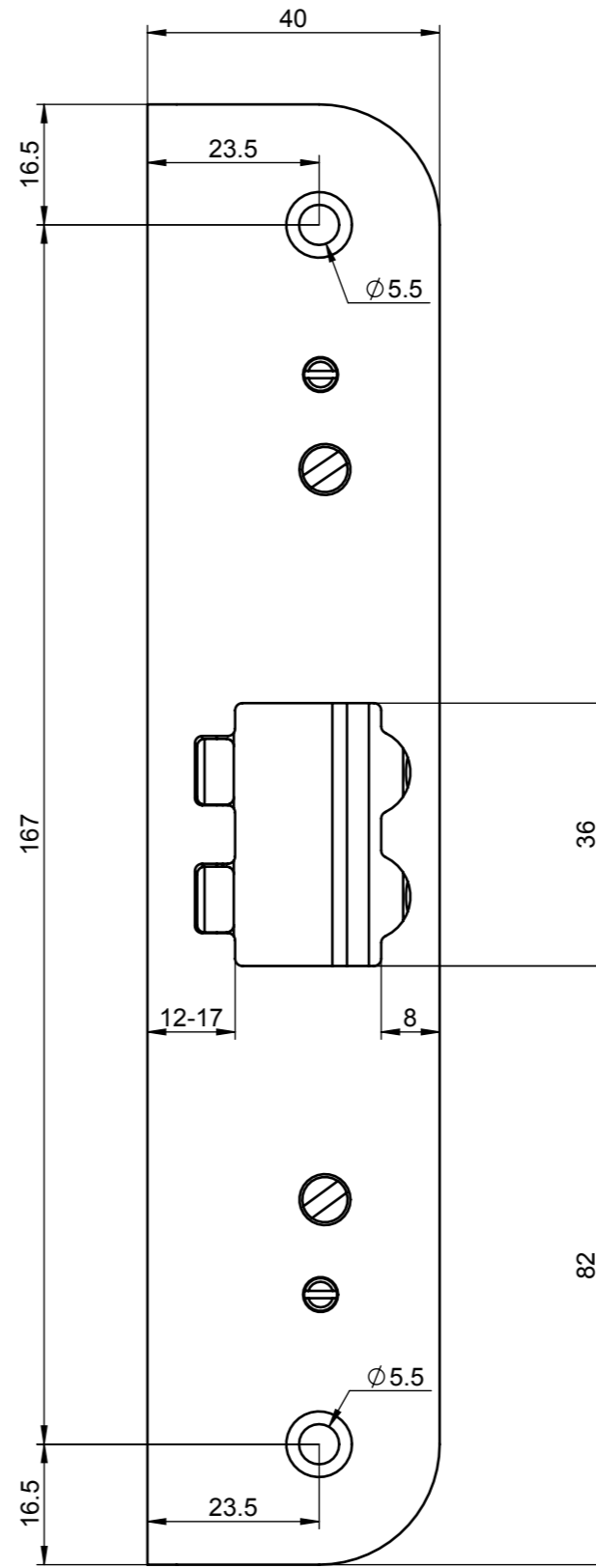
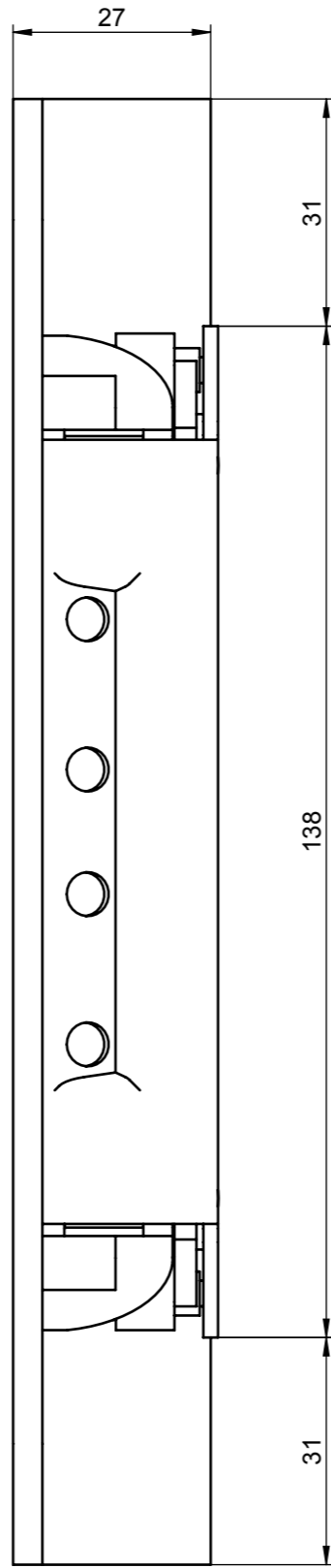
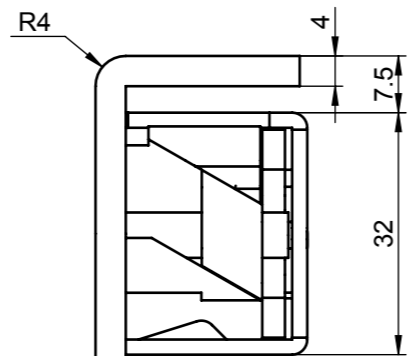
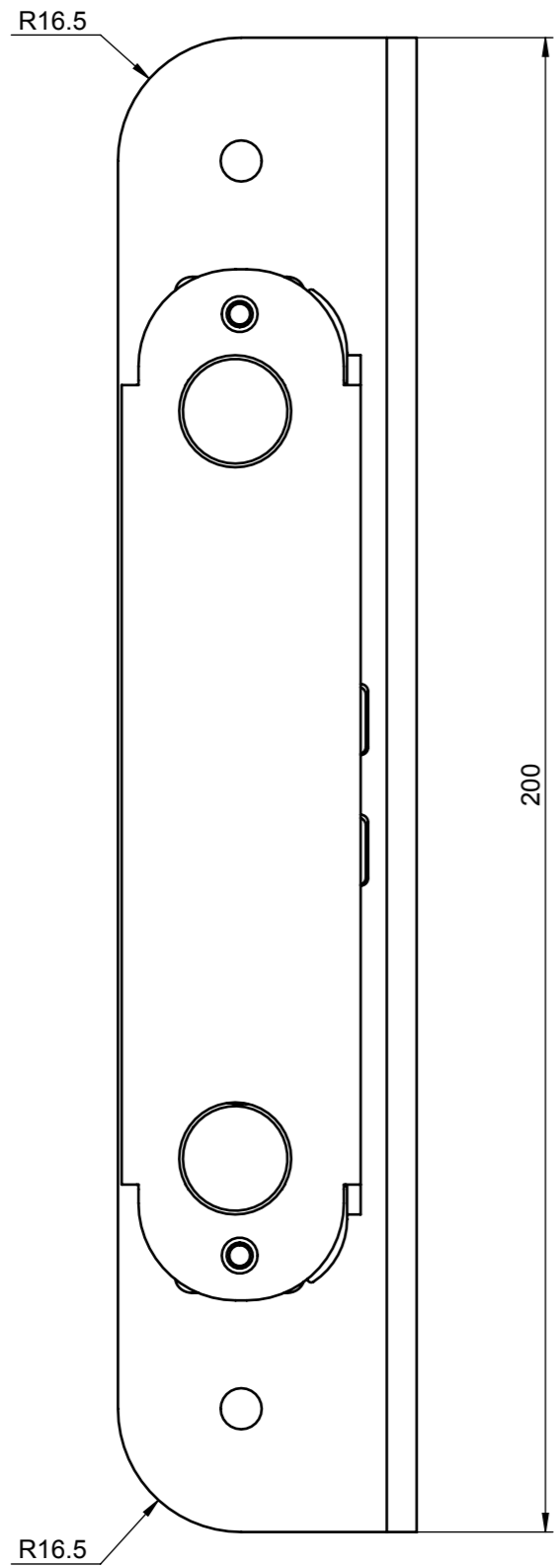

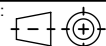


This document is our property and shall not without our permission be altered, copied, used for manufacturing or communicated to any other person or company.



Surface: 456466		Material:			General tolerance: ISO 2768-mH	
Volume:	Weight:	Surface area:	created: 17.03.2015 JK	designed by:	changed by:	Scale: 1:1 (A3)
 An ASSA ABLOY Group brand			ABLOY LP721			Projection: 
			Alternate ID	Document ID	Rev.: 1	

Part/assy:

Configuration:Default

SHEET 1 OF 1