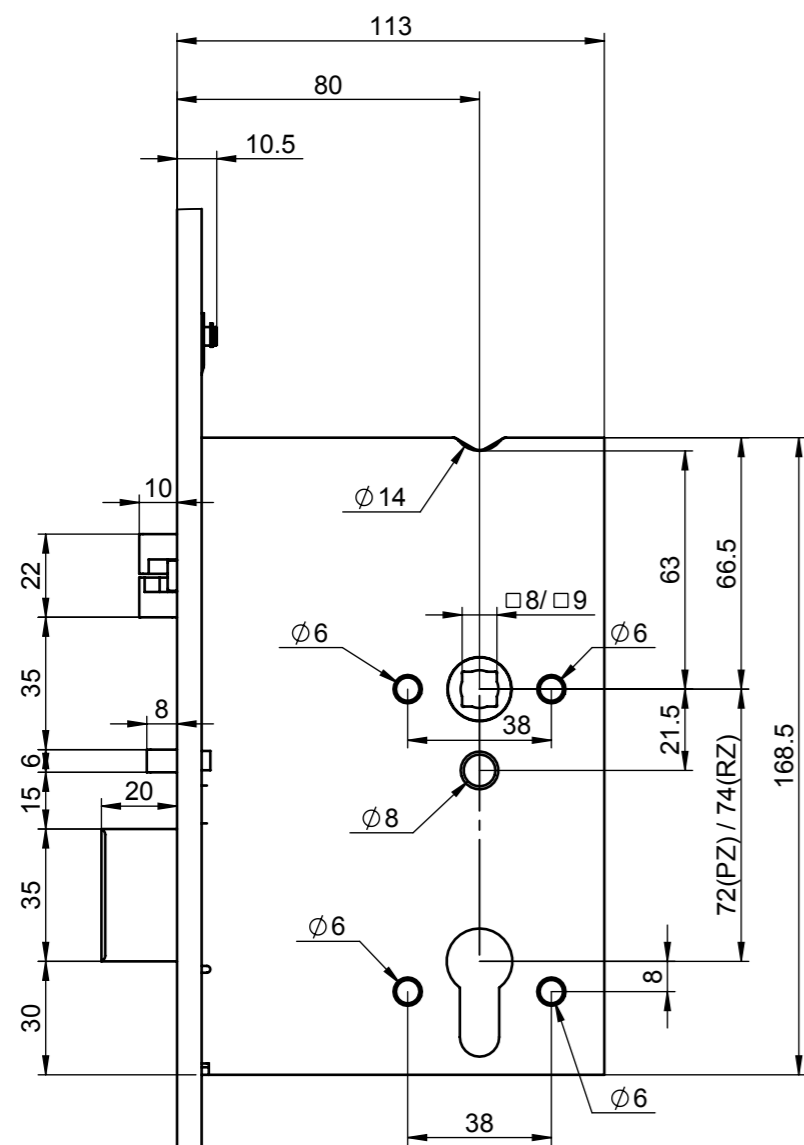
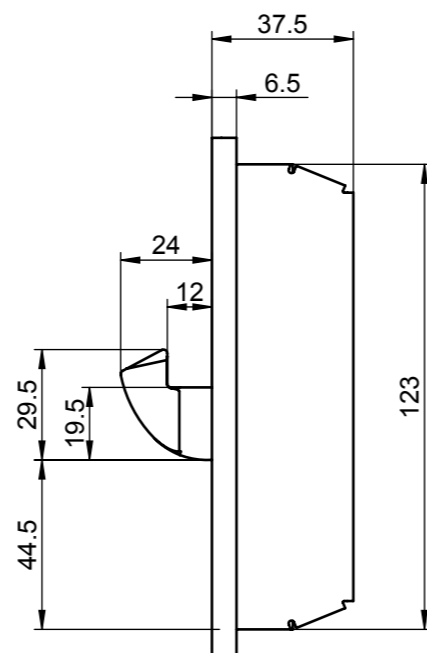


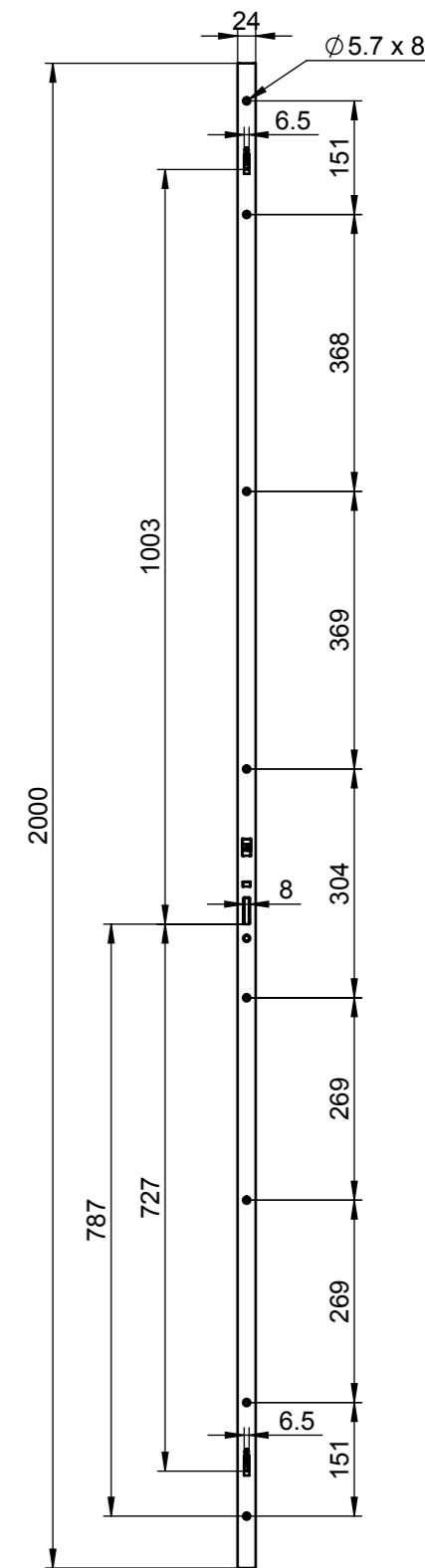
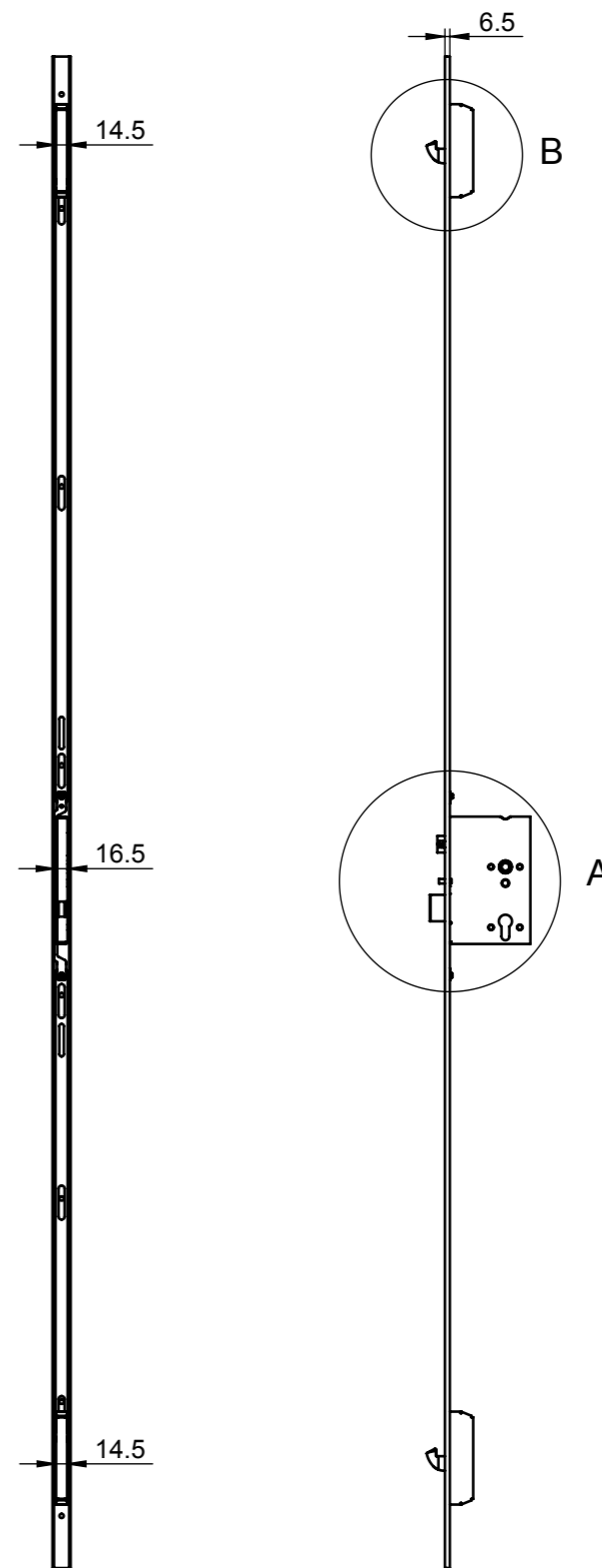
This document is our property and shall not without our permission be altered, copied, used for manufacturing or communicated to any other person or company.


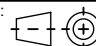


DETAIL A  
SCALE 1 : 2



DETAIL B  
SCALE 1 : 2



Surface: 456466		Material:			General tolerance: ISO 2768-mH	
Volume:	Weight:	Surface area:	created: 31.10.2014 JK	designed by:	changed by:	Scale: 1:10 (A3)
 Abloy Oy An ASSA ABLOY Group brand		ABLOY MP518 / 80 / 2000			Projection: 	
		Document ID		Rev.: <b>1</b>		

Part/assy:

Configuration:Default

SHEET 1 OF 1