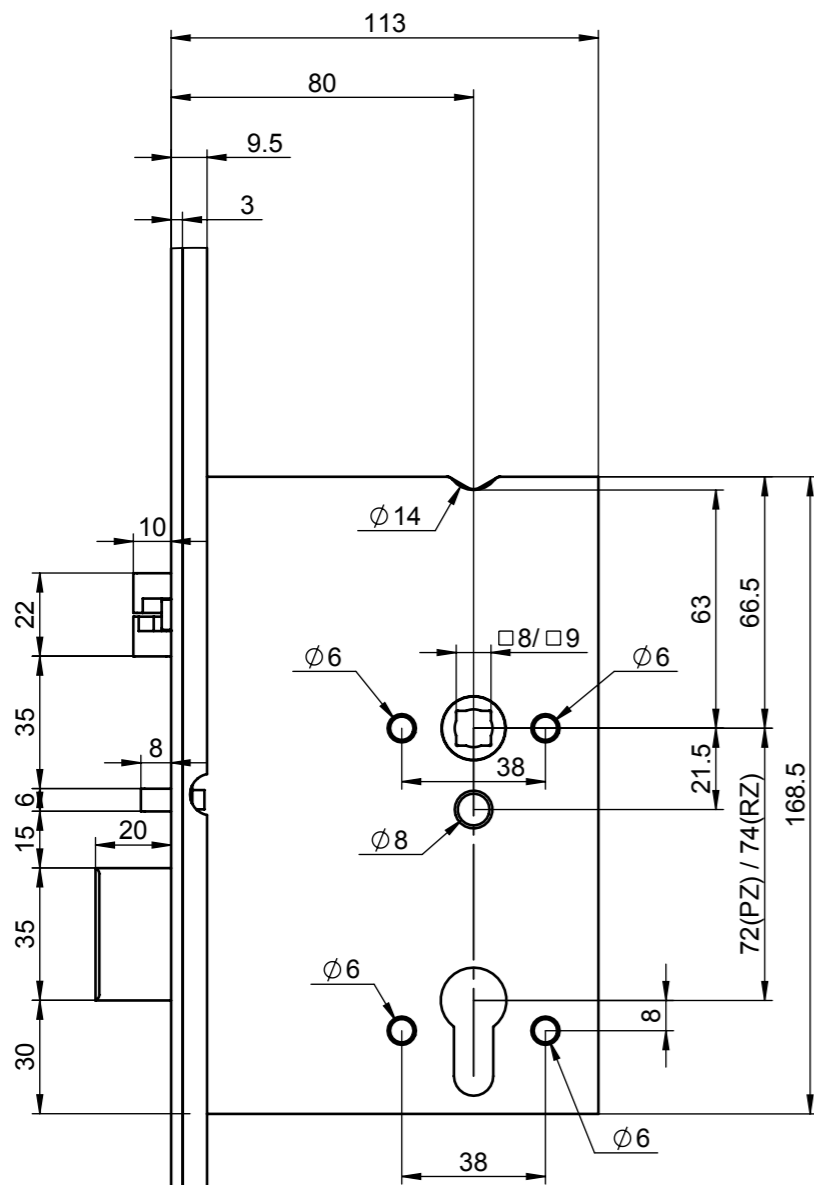
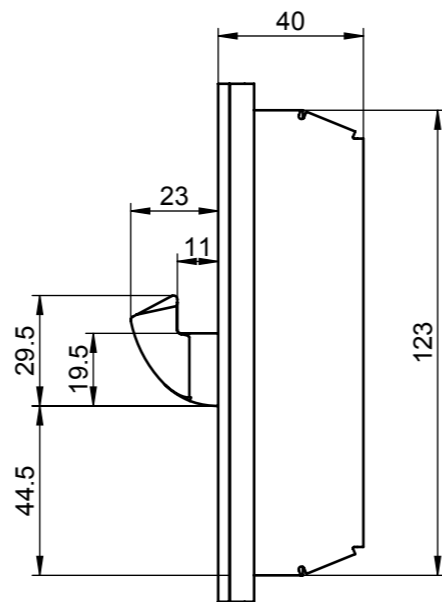


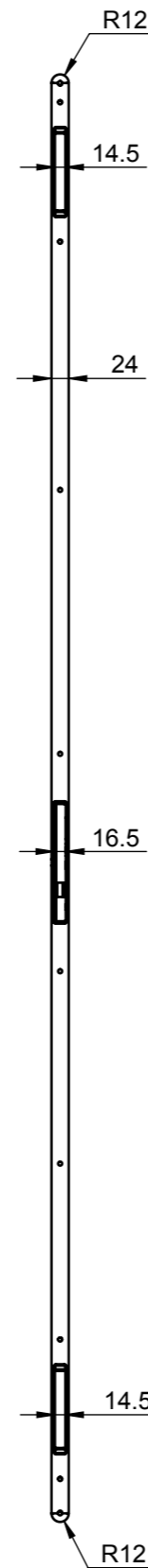
This document is our property and shall not without our permission be altered, copied, used for manufacturing or communicated to any other person or company.



DETAIL A  
SCALE 1 : 2

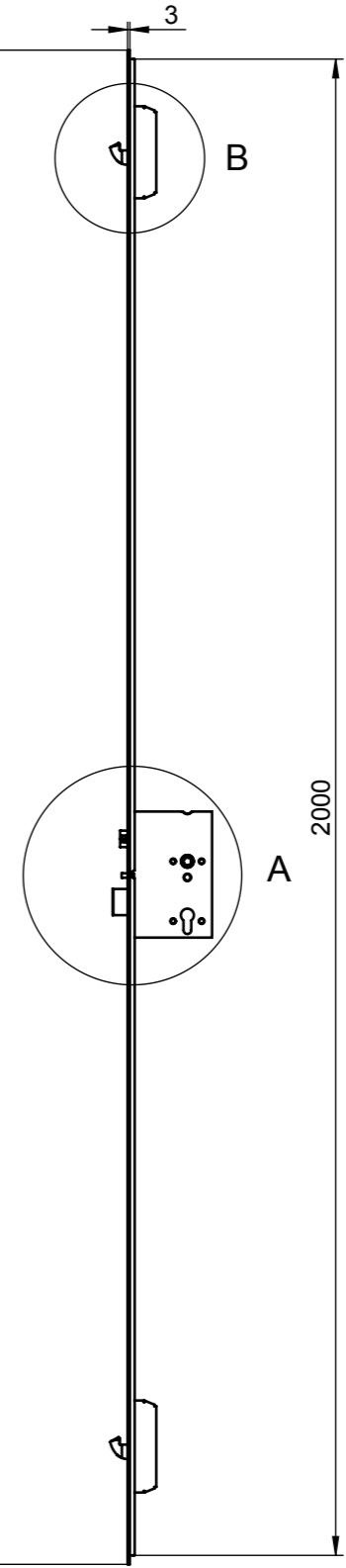


DETAIL B  
SCALE 1 : 2



2024

2000



2000

2000

1003

856

727

246

269

304

369


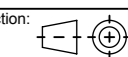
347

195

6.5

48

Ø5.7 x 10

Surface: 456466		Material:			General tolerance: ISO 2768-mH	
Volume:	Weight:	Surface area:	created: 18.04.2016 JK	designed by:	changed by:	Scale: 1:10 (A3)
 <b>ABLOY</b> Abloy Oy An ASSA ABLOY Group brand			ABLOY MP518 / 80 / 2000 / FLAT			Projection: 
			Alternate ID	Document ID	Rev.: <b>1</b>	

Part/assy:

Configuration:Default

SHEET 1 OF 1