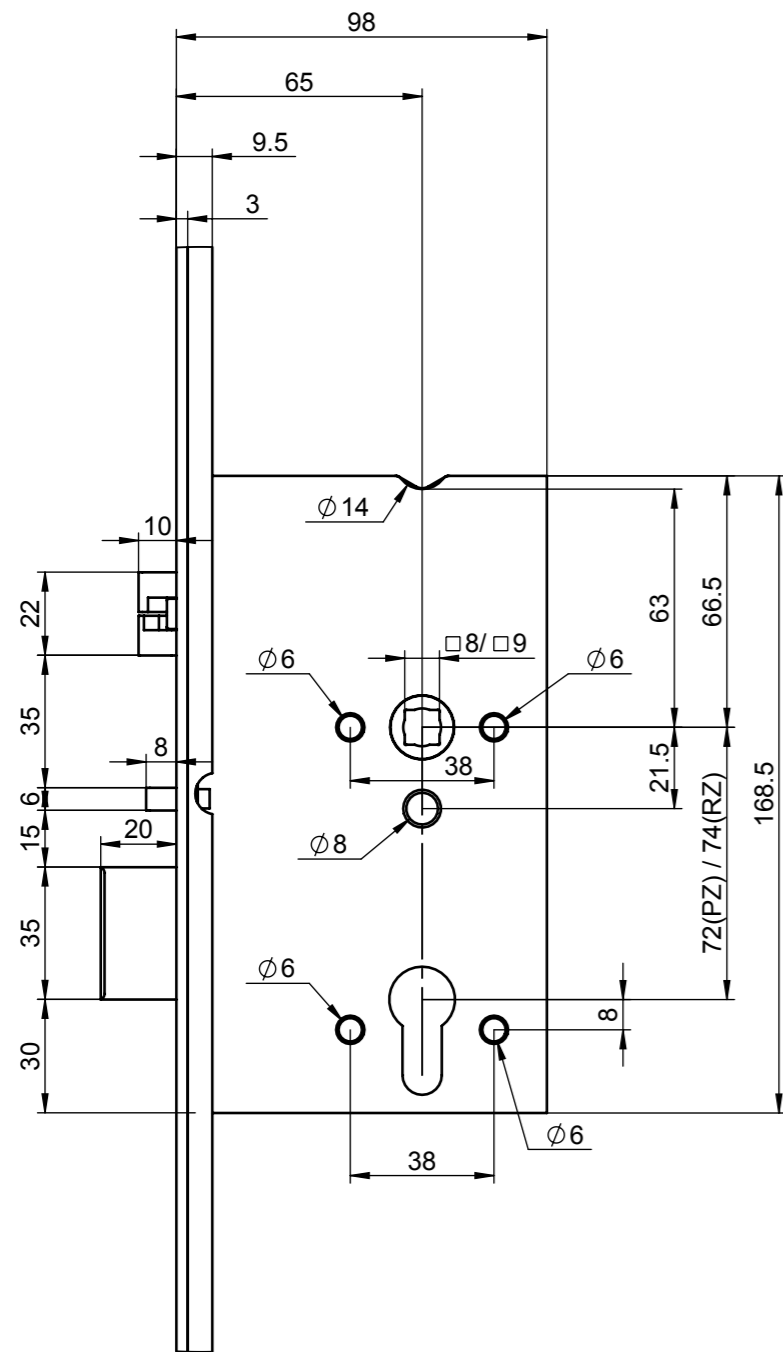
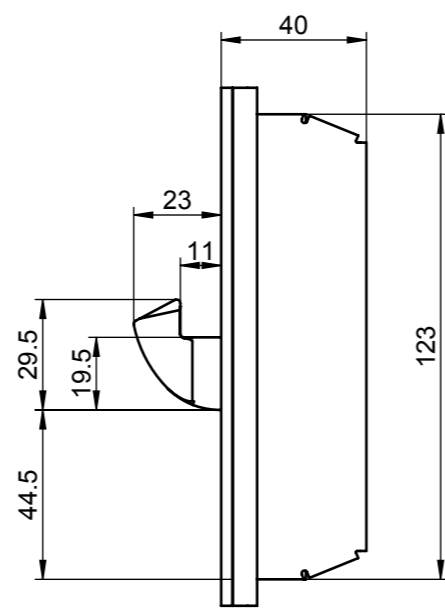


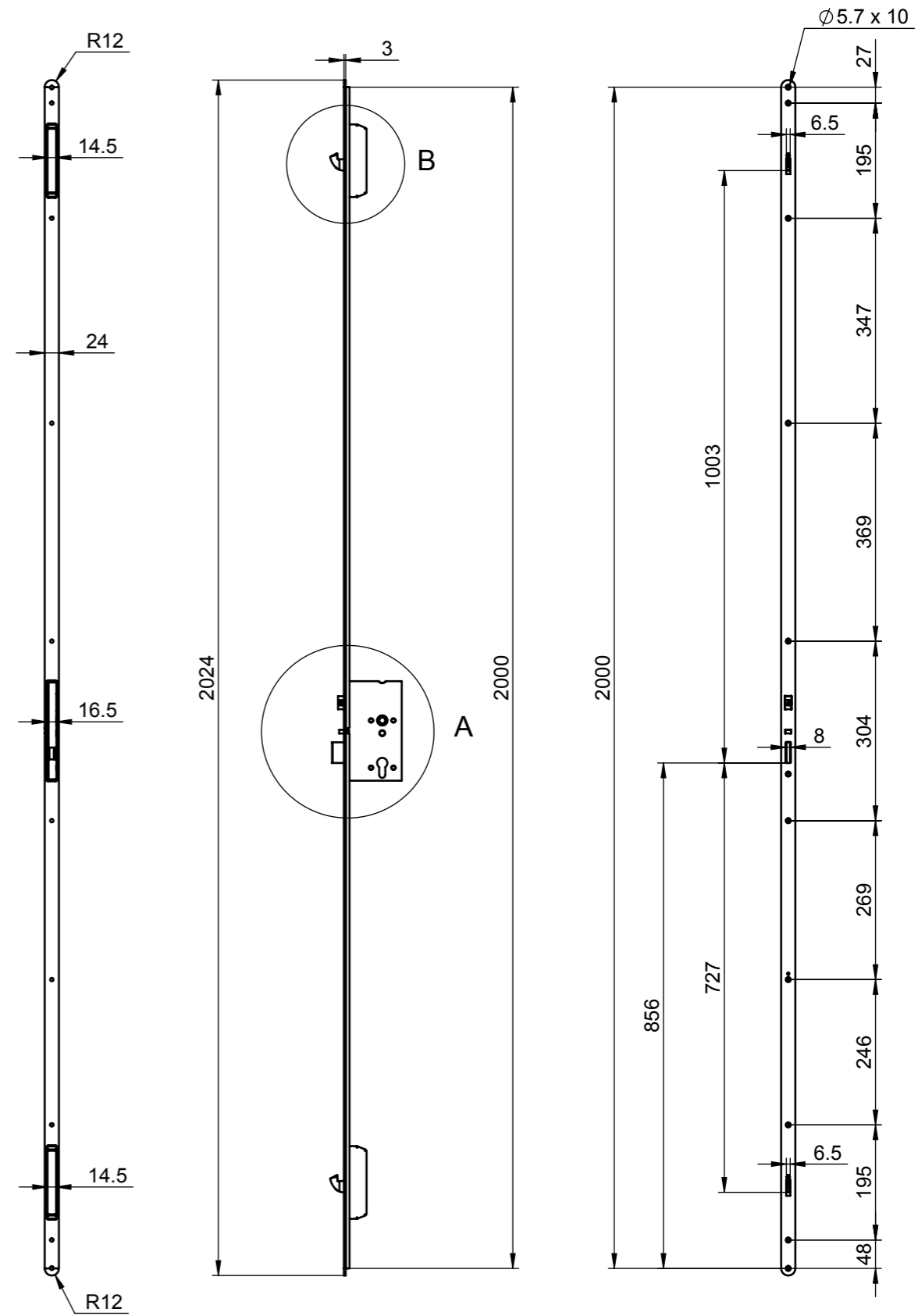
This document is our property and shall not without our permission be altered, copied, used for manufacturing or communicated to any other person or company.


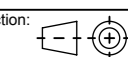


DETAIL A  
SCALE 1 : 2



DETAIL B  
SCALE 1 : 2



|   |         |               |                                |              |                                   |  |
|---|---------|---------------|--------------------------------|--------------|-----------------------------------|--|
| Surface:<br>456466  |         | Material:     |                                |              | General tolerance:<br>ISO 2768-mH |  |
| Volume:   | Weight: | Surface area: | created:<br>19.04.2016 JK      | designed by: | changed by:                       | Scale:<br>1:10 (A3)  |
|  <b>ABLOY</b><br>Abloy Oy<br>An ASSA ABLOY Group brand |         |               | ABLOY MP520 / 65 / 2000 / FLAT |              |                                   | Projection:<br> |
|   |         |               | Document ID                    |              |                                   | Rev.:<br><b>1</b>  |