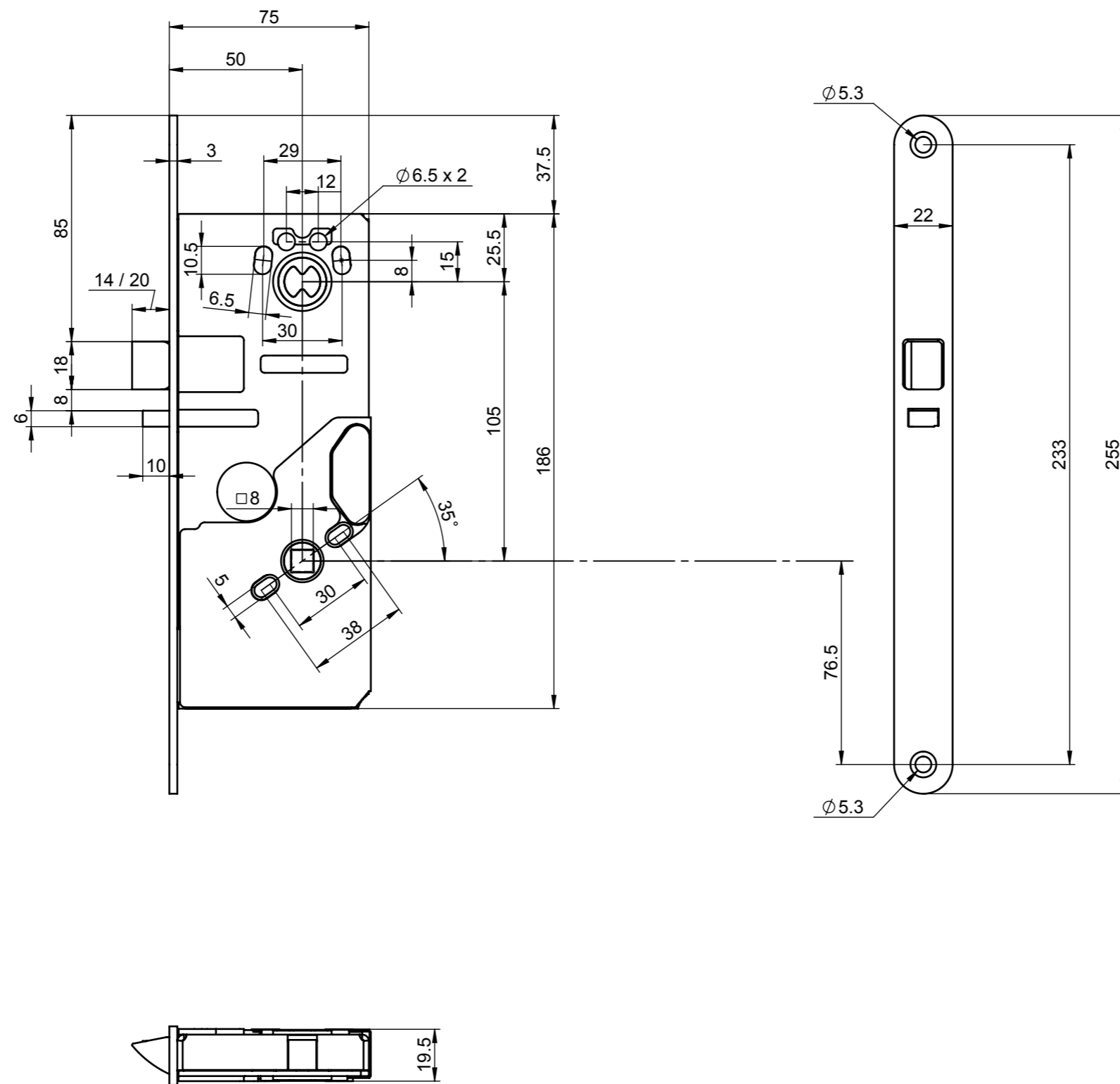


This document is our property and shall not without our permission be altered, copied, used for manufacturing or communicated to any other person or company.



| | | | | | | | | |
|---|---------|---------------|---------------------------|--------------|-------------|-----------------------------------|-------------|--|
| Surface: 456466 | | | Material: | | | General tolerance: ISO 2768-mH | | |
| Volume: | Weight: | Surface area: | created: 01.04.2015 JK | designed by: | changed by: | Scale: 1:2 (A3) | Projection: | |
| Abloy Oy An ASSA ABLOY Group brand | | | ABLOY PE590 | | | Alternate ID | | |
| | | | Document ID | | | | | |

Part/assy:

Configuration:Default

SHEET 1 OF 1