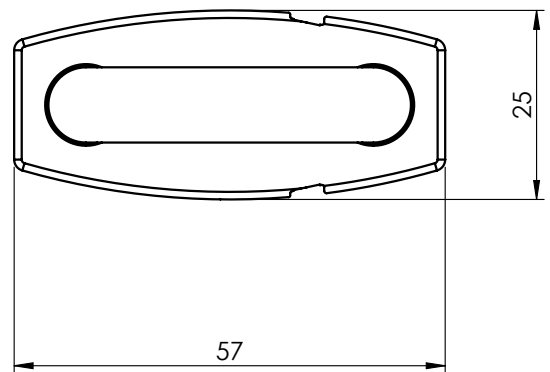
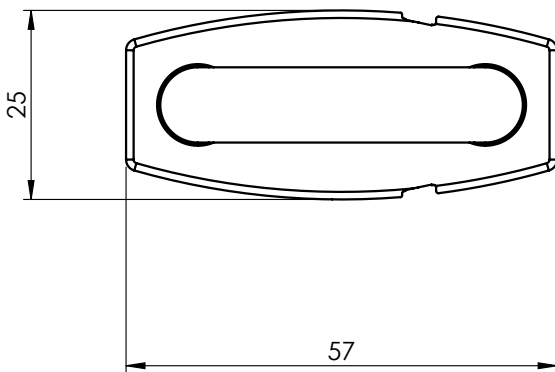
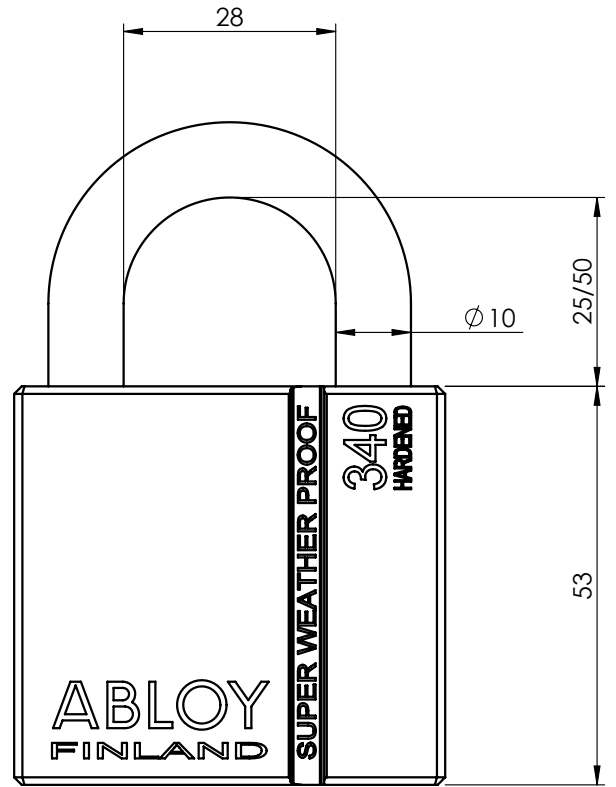
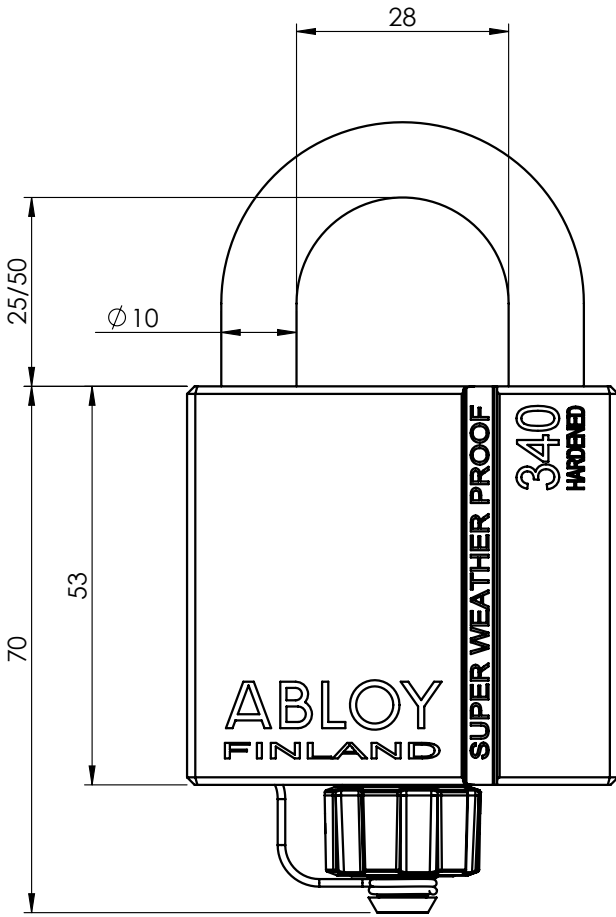


PLM340T/PLI340T

PLM340T

PLI340T



Copyright © Abloy Oy Joensuu Factory 2014 Valid from: dd.mm.yyyy

Drawn	Country	Drawing Number	rev.	Date
TOMIS		DM-01030	B	29.04.15