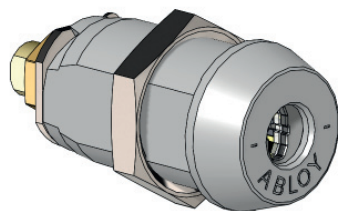
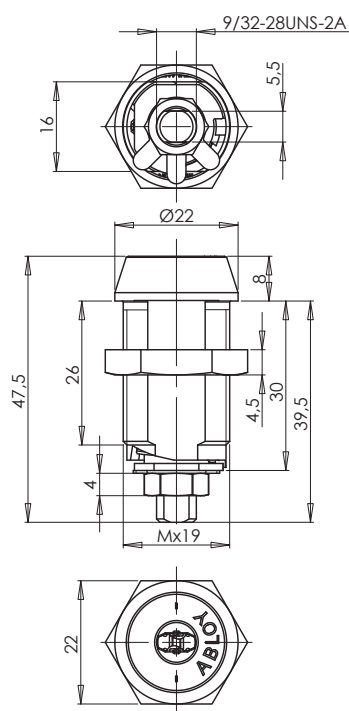


## ABLOY® CLL756 Electromechanical CLIQ camlock



### Product description

Electromechanical CLIQ camlock, CLL130 with "US" housing. Used e.g. in ATMs.



### Technical data

Available key systems	ABLOY PROTEC <sup>2</sup> CLIQ
Body material	Hardened steel
Available plating options	Bright chrome (Cr)
Operating direction	Right hand
Cam turn	90°
Key removal	Locked position
Weight	0,07 kg

### Cylinder memory

- 1800 authorized key groups and programming keys together, theoretical maximum 65535 keys in each group
- A list of 3000 denied keys
- Audit trail of last 2000 events
- Audit trail of last 20 events from keys in other systems

This content is protected by Intellectual Property Rights Laws. The title to the content shall not pass to you, and instead shall remain with Abloy Oy or a third party holding the title. Abloy develops continuously the products and solutions offered. Therefore, the information contained in the document is subject to change without notice. ABLOY PROVIDES THIS CONTENT ON AN "AS IS" BASIS WITHOUT ANY WARRANTIES OF ANY KIND, EXPRESS, IMPLIED, OR STATUTORY."