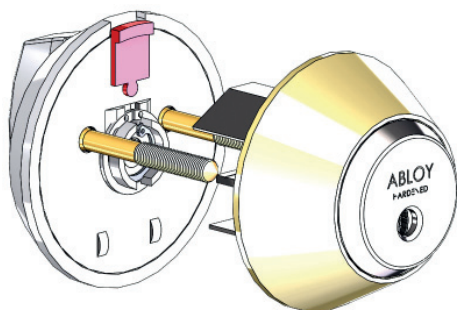




ABLOY® CYL413

Cylinder with lockable thumbturn for tubular deadbolts

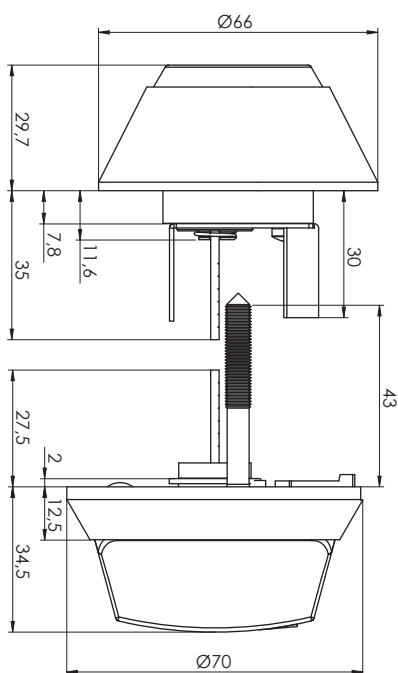


Product description

Lock is operated by key from outside and by thumbturn inside the door.

Overview of Advantages

- Can be use with ANSI range applications
- Suitable for both outer and inner door use
- Several plating options



Technical data

Available key systems	ABLOY PROTEC CLIQ ABLOY PROTEC ² CLIQ
Available plating options	Brushed chrome (CrHa)
Cylinder length	24,5mm
Length adjustable	60mm or 70mm
Suitable for fire doors	Yes
UL listed product	Yes
Weight	0,95 kg

Cylinder memory

- 1800 authorized key groups and programming keys together, theoretical maximum 65535 keys in each group
- A list of 3000 denied keys
- Audit trail of last 2000 events
- Audit trail of last 20 events from keys in other systems

This content is protected by Intellectual Property Rights Laws. The title to the content shall not pass to you, and instead shall remain with Abloy Oy or a third party holding the title. Abloy develops continuously the products and solutions offered. Therefore, the information contained in the document is subject to change without notice. ABLOY PROVIDES THIS CONTENT ON AN "AS IS" BASIS WITHOUT ANY WARRANTIES OF ANY KIND, EXPRESS, IMPLIED, OR STATUTORY."