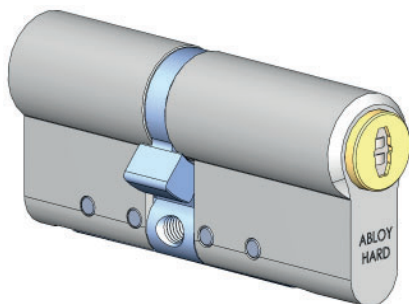




ABLOY® CYLP332 Electromechanical CLIQ DIN/Europrofile Double cylinder



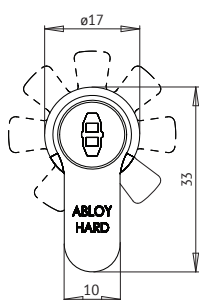
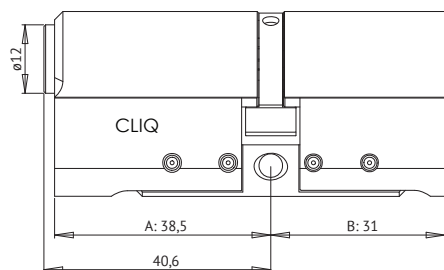
Product description

Electromechanical CLIQ Double cylinder to be used with mortice lock cases with DIN / Europrofile cylinder dimensions. Outside cylinder is electronic CLIQ and inside is mechanical.

Lock is operated with a key from both sides.

Overview of Advantages

- Can be use with wide range applications for DIN cylinders
- Strong burglary protection
- Suitable for both outer and inner door use
- Dust cover
- Adjustable length with extension system to match different door thicknesses
- Adjustable locked position of cam
- Several plating options



A= modular extensions
5mm steps 38,5 - 88,5
10mm steps 88,5 - 138,5

B= modular extensions
5mm steps 31-81
10mm steps 81-131

Technical data

Available key systems	ABLOY PROTEC CLIQ, ABLOY PROTEC ² CLIQ
Available plating options	Bright chrome (Cr), Satin chrome (HCr), Brushed nickel (NiHa), Bright brass (MSKiLa), Satin brass (MSHaLa),
Cylinder cross section according standard DIN 18252	
Cylinder length	Outside 38mm, inside 31mm
Length adjustable (outside)	with 5mm steps 38,5–88,5mm, and with 10mm steps 88,5–138,5mm
Length adjustable (inside)	with 5mm steps 31–81mm, and with 10mm steps 81–131mm
Suitable for fire doors	Yes
EN 1303:2015 classification	Key related security 6, attack resistance D
Weight	0,20kg

Cylinder memory

- 1800 authorized key groups and programming keys together, theoretical maximum 65535 keys in each group
- A list of 3000 denied keys
- Audit trail of last 2000 events
- Audit trail of last 20 events from keys in other systems

This content is protected by Intellectual Property Rights Laws. The title to the content shall not pass to you, and instead shall remain with Abloy Oy or a third party holding the title. Abloy develops continuously the products and solutions offered. Therefore, the information contained in the document is subject to change without notice. ABLOY PROVIDES THIS CONTENT ON AN "AS IS" BASIS WITHOUT ANY WARRANTIES OF ANY KIND, EXPRESS, IMPLIED, OR STATUTORY."