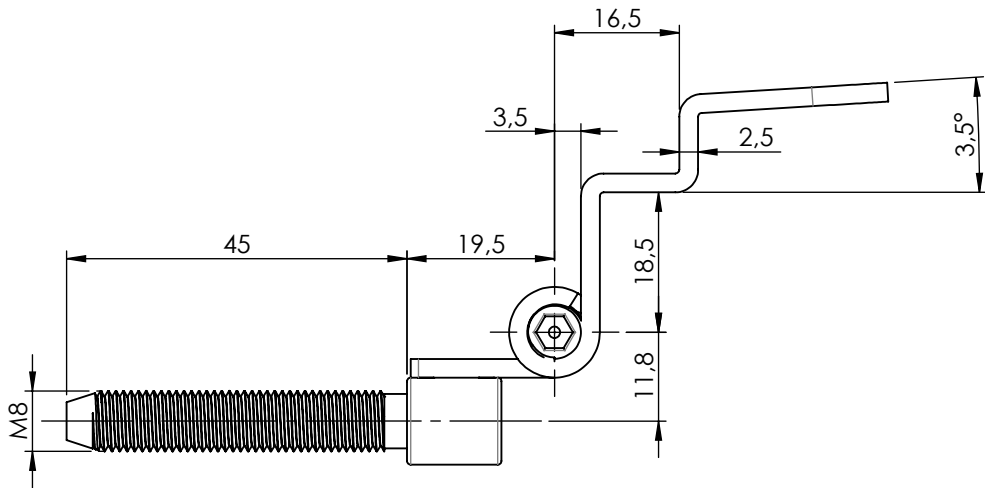
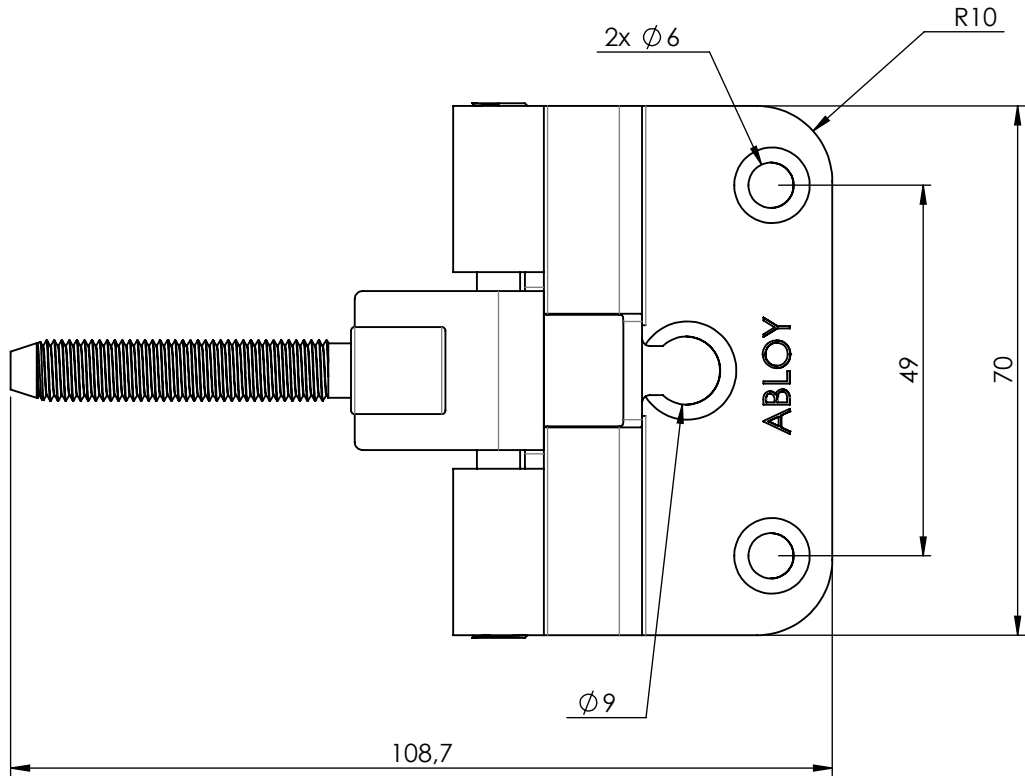


FT-70



Drawn by:	Country	Drawing Number	rev.	ALT ID:	Date
arttik		D000755973-901	1		2019-11-20