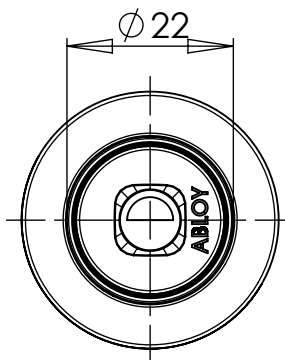
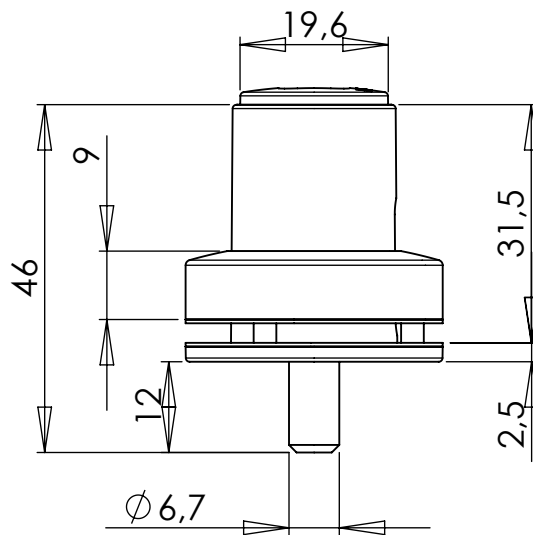
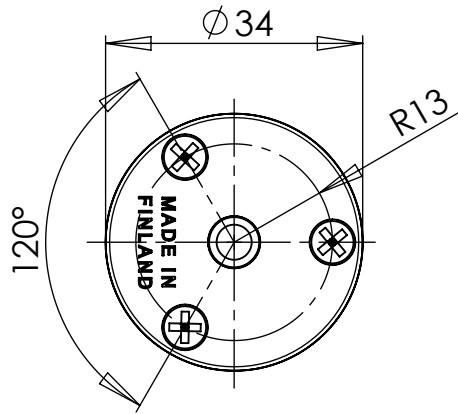


OF431C



Copyright © Abloy Oy Joensuu Factory 2014

Valid from: dd.mm.yyyy

Drawn	Country	Drawing Number	rev.	Date
JANNER		M-01011	B	28.08.15