

## ABLOY® PULSE KEY

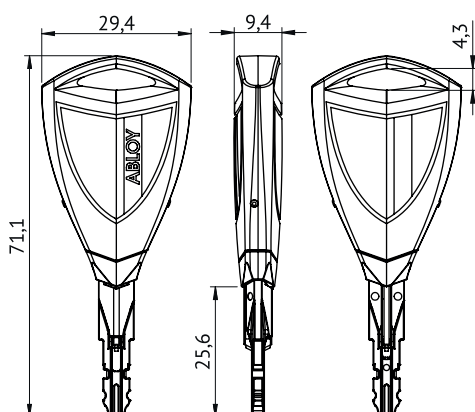


### Product description

PULSE Key has patented dual credential technology, it will work like normal mechanical key to cylinders and access tag to access control readers. With this technology the customer locking system is possible to build cost effectively. Key does not have mechanical coding and no batteries. Key has unique easy to use key leaf design will enable best in class user experience.

### Overview of advantages

- Key data can be updated using RFID as daily basis operation through updater.
- Key data is protected by SEOS®
- Maintenance free symmetrical key is designed to withstand water, frost and hard use.
- LED indication.
- Key transfers the lost keys data to cylinders from updater.
- Key can be reused to another system.
- Key can be programmed to multiple systems.



### Technical data

Usage Temperature	-30 - +60 °C / IP57
Time zone support	Key will get timestamp from updater. Key usage in audit trail event will be recorded to timestamp time.
RFID technology	iClass SEOS®
List of authorized keys and key groups	Combined memory 70
Audit trail	100 events
Blacklist size	Cylinders 100, readers 70
Maintenance	No maintenance required

### Certifications:

Standards	Test
EN 15684	Stability of electronic key Bump requirements Vibration requirements Corrosion resistance requirements Resistance of electronic key against water Dry Heat Damp Heat Cycling Cold
EN 60068-2-32	
EN60068-2-27, Eb	
EN60068-2-6, Fc	
EN 1670	
EN 60529	
EN 60068-2-2, Bb	
EN60068-2-30, Db	
EN 60068-2-1, Ab	
Radio equipment directive	
EN 300 330- V2.1.1	
EN 301 489-1 V1.9.2	
EN 301 489-3 V1.6.1	
61000-4-2	
EN 60950 - 1	

This content is protected by Intellectual Property Rights Laws. The title to the content shall not pass to you, and instead shall remain with Abloy Oy or a third party holding the title. Abloy develops continuously the products and solutions offered. Therefore, the information contained in the document is subject to change without notice. ABLOY PROVIDES THIS CONTENT ON AN "AS IS" BASIS WITHOUT ANY WARRANTIES OF ANY KIND, EXPRESS, IMPLIED, OR STATUTORY."