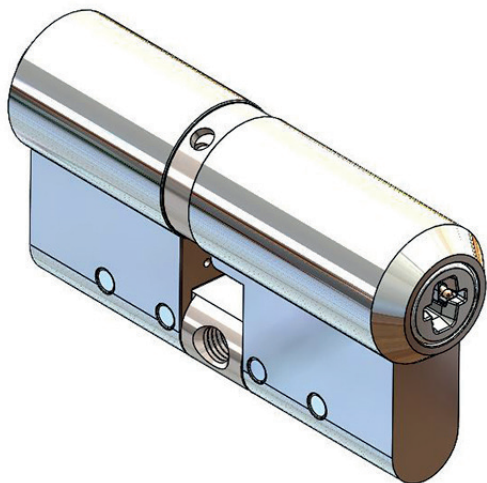


ABLOY® CYE355

Electromechanical PULSE DIN/Europrofile hardened double cylinder (EH/Dummy)



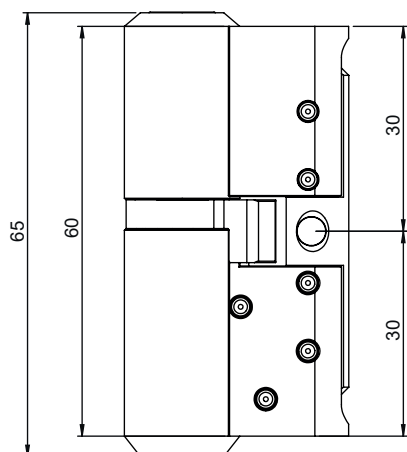
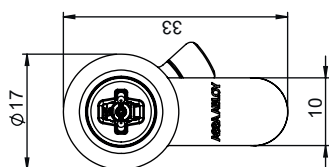
Product description

Electromechanical PULSE double cylinder with dummy inside. Used with mortice lock cases with DIN /Europrofile cylinder dimensions. Outside cylinder is electronic PULSE and inside is dummy cylinder that can be operated by any PULSE key.

Lock is operated by key both side of the door.

Overview of Advantages

- Can be use with wide range applications for DIN cylinders
- Suitable for both outer and inner door use
- Adjustable length with extension system to match different door thicknesses
- Adjustable locked position of cam



Technical data

Available key systems	PULSE
Available plating options	Bright chrome (Cr)
Cylinder cross section according standard DIN 18252	
Cylinder length	30mm (inside & outside)
Length adjustable (outside & Inside)	With 5mm steps to max. 120mm
Suitable for fire doors	Yes
Certificates	EN15684:2012 - 16B4AF22 SKG*** A2P
Weight	0,24kg
Cylinder memory	Authorized access groups 70 Blocklist 100 keys Audit trail of last 500 events (Data collection can be prevented)

This content is protected by Intellectual Property Rights Laws. The title to the content shall not pass to you, and instead shall remain with Abloy Oy or a third party holding the title. Abloy develops continuously the products and solutions offered. Therefore, the information contained in the document is subject to change without notice. ABLOY PROVIDES THIS CONTENT ON AN "AS IS" BASIS WITHOUT ANY WARRANTIES OF ANY KIND, EXPRESS, IMPLIED, OR STATUTORY."