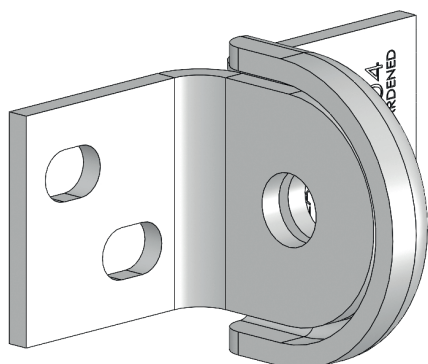


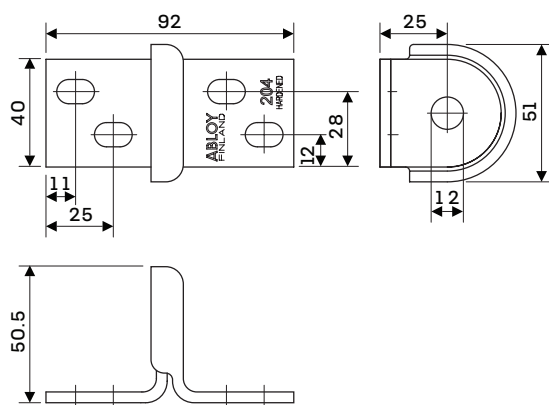
ABLOY® PL204 Staple for padlock



Product description

Non-handed

Fixing screws included



Technical data

Material	Case-hardened steel
Available plating options	Zinc-plated, polyester-coated
Weight	0,4 kg

This content is protected by Intellectual Property Rights Laws. The title to the content shall not pass to you, and instead shall remain with Abloy Oy or a third party holding the title. Abloy develops continuously the products and solutions offered. Therefore, the information contained in the document is subject to change without notice. ABLOY PROVIDES THIS CONTENT ON AN "AS IS" BASIS WITHOUT ANY WARRANTIES OF ANY KIND, EXPRESS, IMPLIED, OR STATUTORY."