

ABLOY® 5166

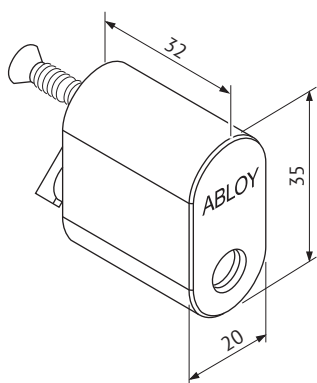
Cylinder for garage door lock



Product description

Cylinder to be used with Fix700.

The handle can be operated from outside by using a key.



Technical data

| | |
|---------------------------|--|
| Available key systems | ABLOY PROTEC, ABLOY PROTEC ² , ABLOY SENTO, ABLOY EASY, ABLOY CLASSIC |
| Available plating options | Bright chrome (Cr) |
| Cylinder dimensions | 35 x 20mm x 22mm |
| Weight | 0.2kg |

This content is protected by Intellectual Property Rights Laws. The title to the content shall not pass to you, and instead shall remain with Abloy Oy or a third party holding the title. Abloy develops continuously the products and solutions offered. Therefore, the information contained in the document is subject to change without notice. ABLOY PROVIDES THIS CONTENT ON AN "AS IS" BASIS WITHOUT ANY WARRANTIES OF ANY KIND, EXPRESS, IMPLIED, OR STATUTORY."