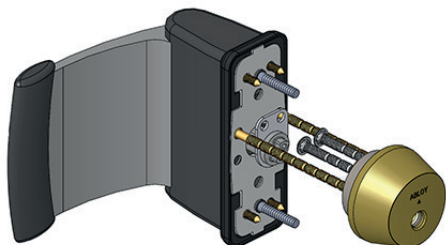


ABLOY® CY077

Cylinder with push pad for solid doors for EL502



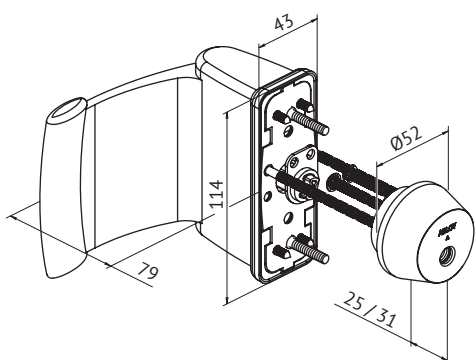
Product description

High durability cylinder rings against pulling, twisting and sawing.

Lock is operated by key from outside and by push pad inside the door.

Overview of Advantages

- Suitable for both outer and inner door use
- Adjustable during installation to match different door thicknesses



Technical data

Available key systems	ABLOY PROTEC, ABLOY PROTEC ² , ABLOY NOVEL, ABLOY CLASSIC
Available plating options	Bright chrome (Cr), Satin chrome (HCr), Brushed nickel (NiHa)
Cylinder ring diameter	52mm
Cylinder ring height	Standard 25mm, for thin doors 31mm
Push pad size	114 x 43 x 79mm
Weight	1,2kg
Possible door thicknesses:	42...152mm

This content is protected by Intellectual Property Rights Laws. The title to the content shall not pass to you, and instead shall remain with Abloy Oy or a third party holding the title. Abloy develops continuously the products and solutions offered. Therefore, the information contained in the document is subject to change without notice. ABLOY PROVIDES THIS CONTENT ON AN "AS IS" BASIS WITHOUT ANY WARRANTIES OF ANY KIND, EXPRESS, IMPLIED, OR STATUTORY."