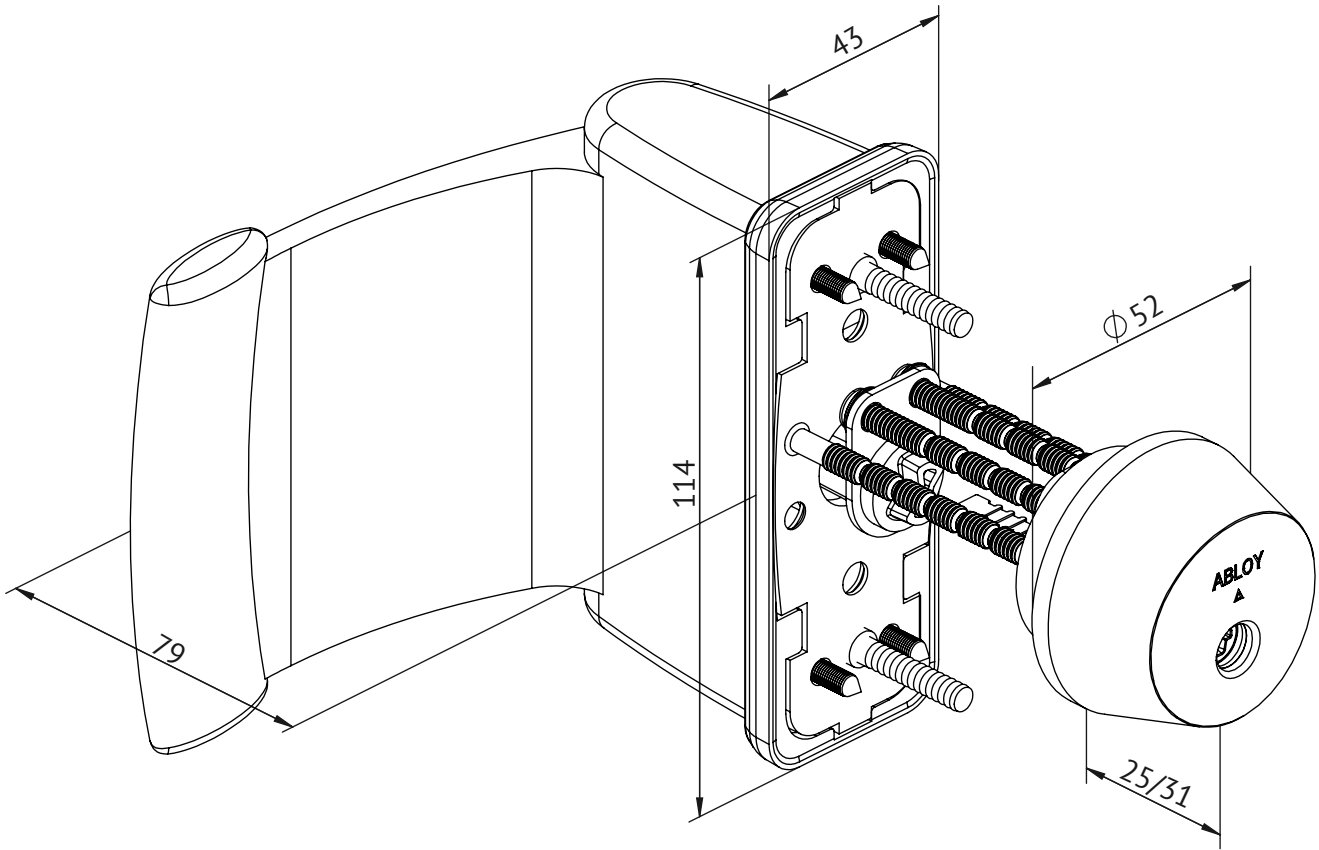


CYE077



Copyright © Abloy Oy Joensuu Factory 2014

Drawn by:	Country	Drawing Number	rev.	ALT ID:	Date
pyrait		D000756471-900	1	6001281	2017-08-24

An ASSA ABLOY Group brand **ASSA ABLOY**

Approved 2018-11-16