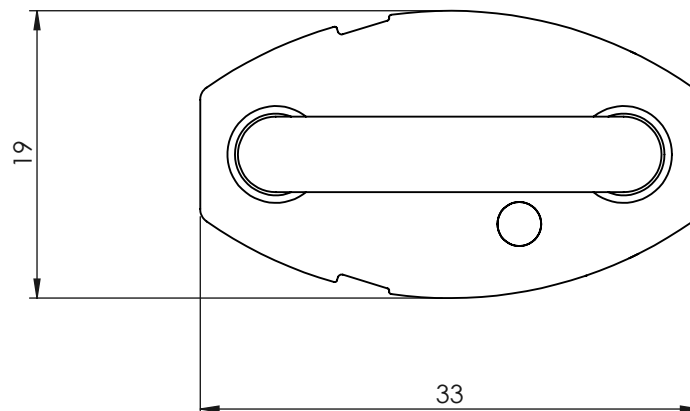
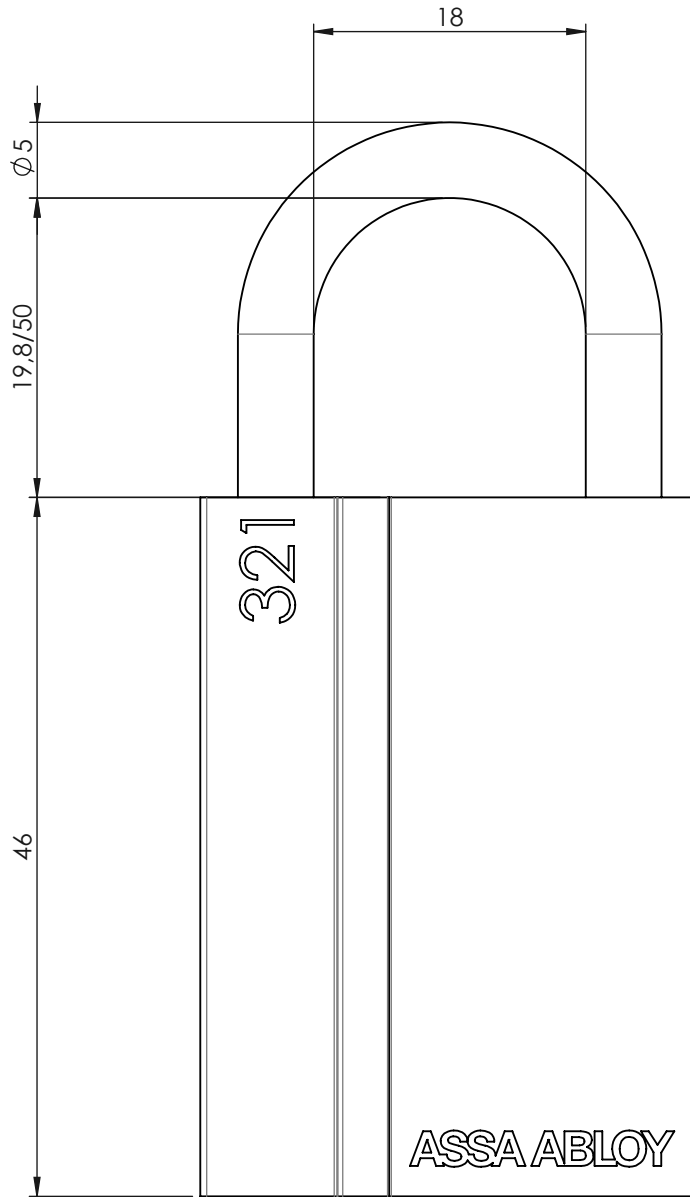


PLE321



Copyright © Abloy Oy Joensuu Factory 2014

Drawn by:	Country	Drawing Number	rev.	ALT ID:	Date
ANTKUR		D000723166-901	1	6005774	2020-07-02

An ASSA ABLOY Group brand **ASSA ABLOY****Approved 2020-07-03**