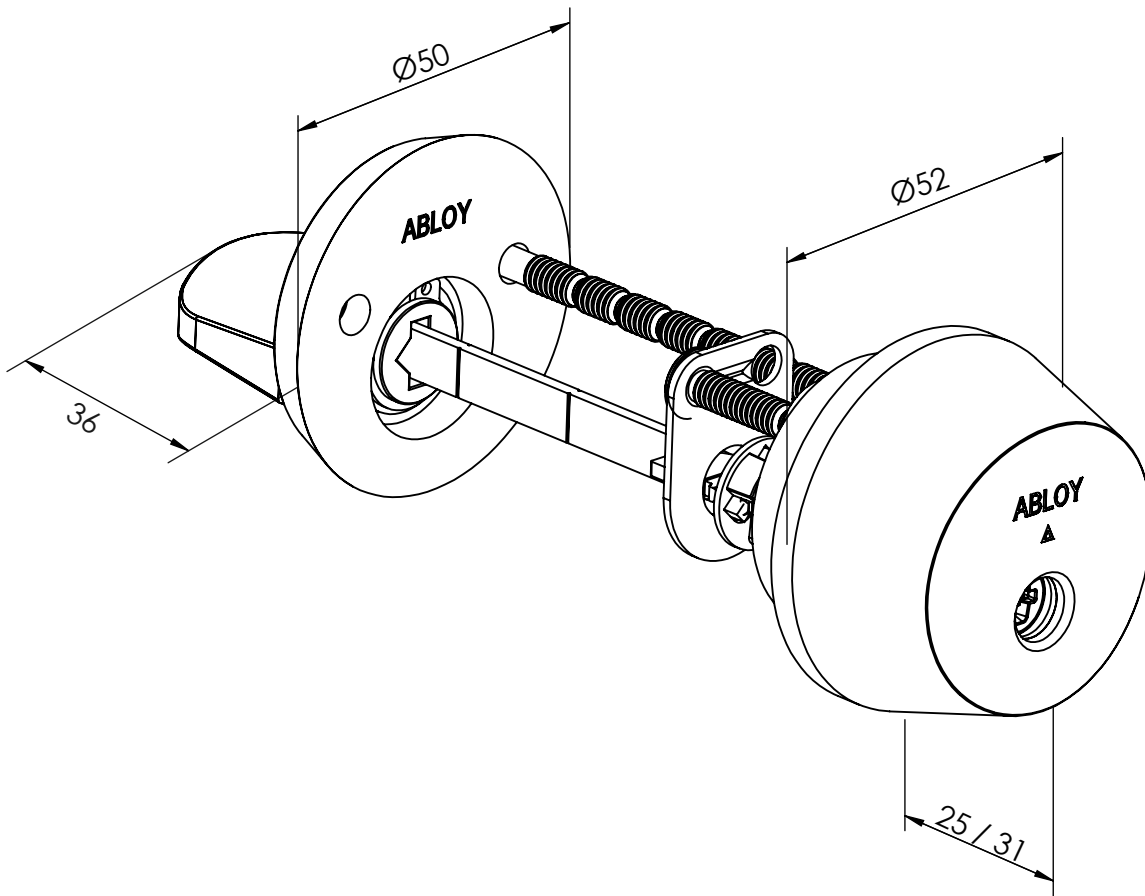


CYE001



Copyright © Abloy Oy Joensuu Factory 2014

Drawn by:	Country	Drawing Number	rev.	ALT ID:	Date
ANTTIKU		D000723204-900	2	DM-01562	2017-05-20

An ASSA ABLOY Group brand **ASSA ABLOY**

Approved 2018-11-16