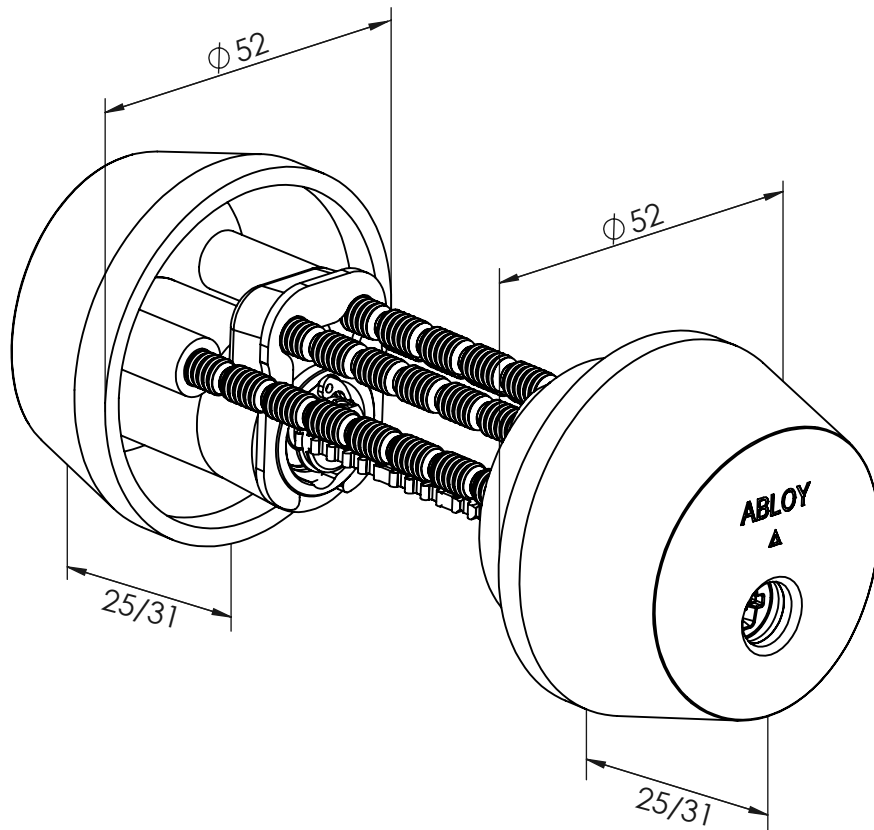


# CYE002



Copyright © Abloy Oy Joensuu Factory 2014

Drawn by:	Country	Drawing Number	rev.	ALT ID:	Date
pyrait		D000724503-900	2	DM-01565	2017-05-20

An ASSA ABLOY Group brand **ASSA ABLOY**

**Approved 2018-12-21**