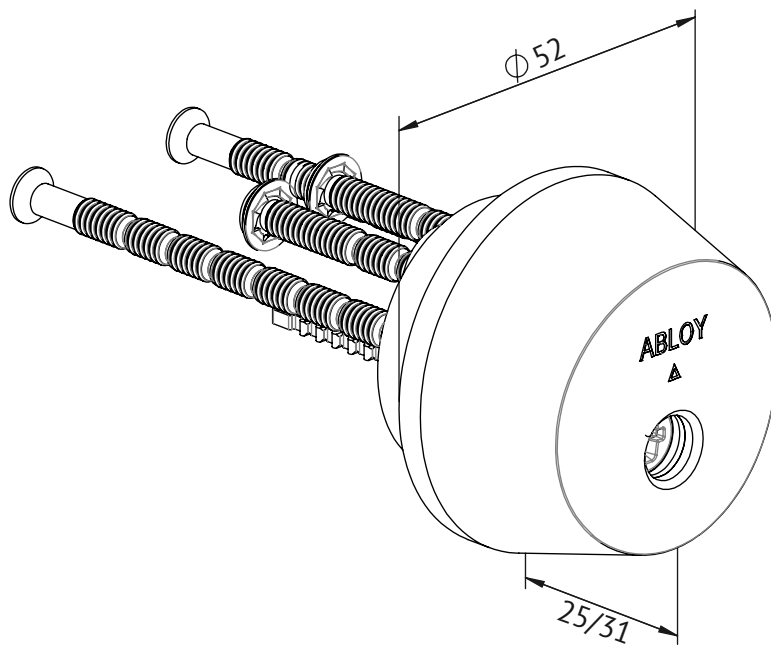


CYE016



Copyright © Abloy Oy Joensuu Factory 2014

Drawn by:	Country	Drawing Number	rev.	ALT ID:	Date
ANTTIKU		D000724507-900	2	DM-01567	2017-05-20