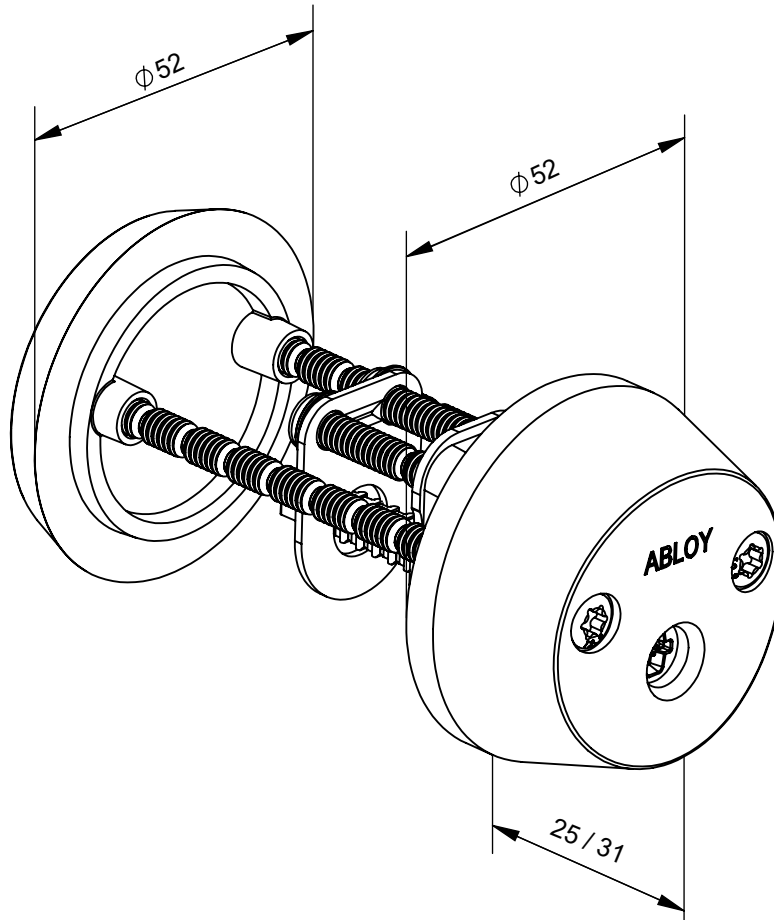


# CYE021



Copyright © Abloy Oy Joensuu Factory 2014

Drawn by:	Country	Drawing Number	rev.	ALT ID:	Date
ANTTIKU		D000724508-900	2	DM-01568	2017-05-20