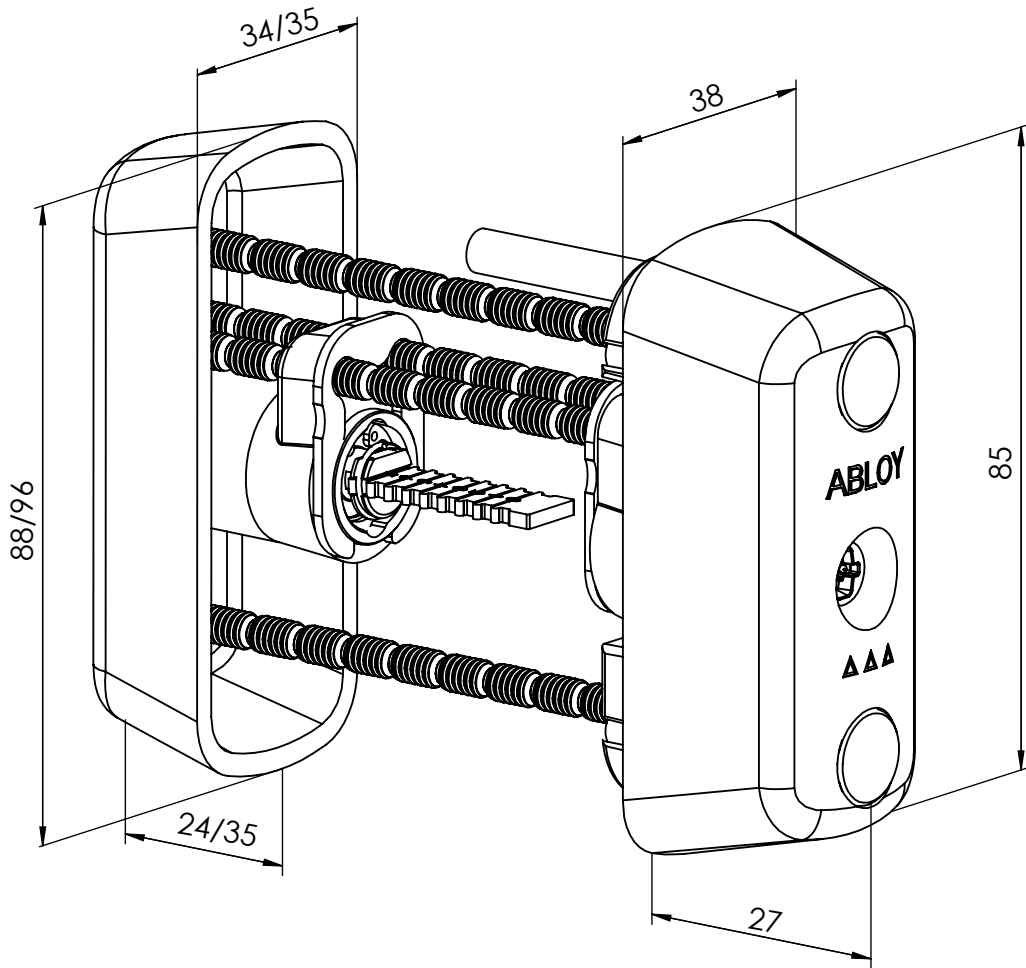


# CYE065



Copyright © Abloy Oy Joensuu Factory 2014

Drawn by:	Country	Drawing Number	rev.	ALT ID:	Date
pyrait		D000894104-900	1	6000909	2018-02-06

An ASSA ABLOY Group brand **ASSA ABLOY**

Approved 2018-11-16