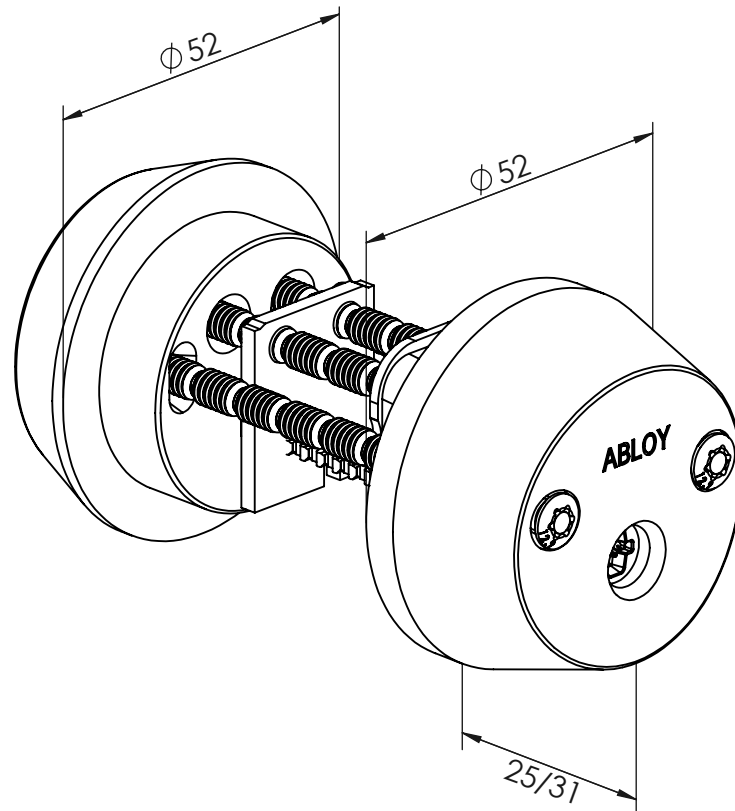


# CYE061



Copyright © Abloy Oy Joensuu Factory 2014

Drawn by:	Country	Drawing Number	rev.	ALT ID:	Date
ANTTIKU		D000724643-900	1	DM-01577	2018-09-14

An ASSA ABLOY Group brand **ASSA ABLOY**

**Approved 2018-11-16**